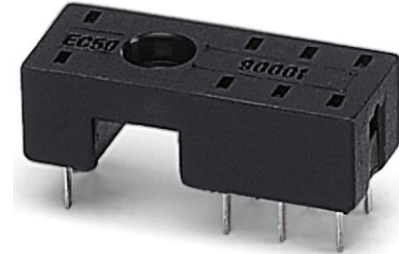



SIM-ERSN

Order No.: 2271484



<http://eshop.phoenixcontact.de/phoenix/treeViewClick.do?UID=2271484>

Plug-in socket, for pluggable miniature switching relays, miniature relays or miniature optocouplers, for soldering onto the PCB.

Commercial data	
GTIN (EAN)	 4 017918 179700
Note	Made-to-order
sales group	G088
Pack	100 pcs.
Customs tariff	85369010
Catalog page information	Page 330 (IF-2011)

Product notes

WEEE/RoHS-compliant since:
07/25/2006



<http://www.download.phoenixcontact.com>
Please note that the data given here has been taken from the online catalog. For comprehensive information and data, please refer to the user documentation. The General Terms and Conditions of Use apply to Internet downloads.

Technical data	
General data	
Nominal voltage U_N	250 V
Nominal current I_N	10 A (1-pos.)
	2x 10 A (2-pos.)
Test voltage	5 kV AC

Hole diameter	1.3 mm
Pitch	5 mm
Color	black

Certificates / Approvals

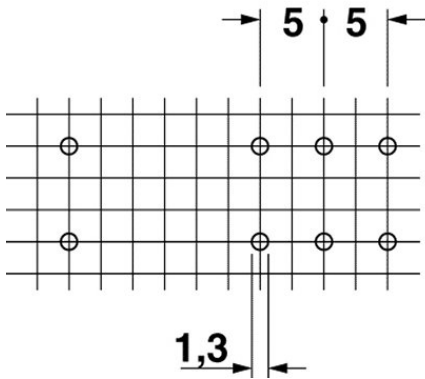


Certification

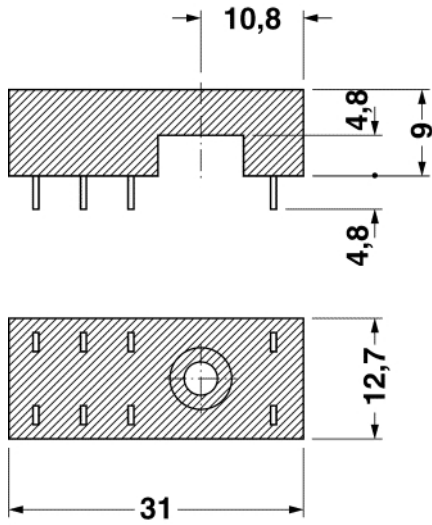
GOST

Diagrams/Drawings

Drilling plan/solder pad geometry



Dimensioned drawing



Address

PHOENIX CONTACT Inc., USA
586 Fulling Mill Road
Middletown, PA 17057, USA
Phone (800) 888-7388
Fax (717) 944-1625
<http://www.phoenixcon.com>



© 2011 Phoenix Contact
Technical modifications reserved;