

SIM-ERSN-HB-KSR/MET


Order No.: 2271497

<http://eshop.phoenixcontact.de/phoenix/treeViewClick.do?UID=2271497>



Retainer, for miniature switching relays or miniature optocouplers

Commercial data

GTIN (EAN)	 4 017918 833381
Note	Made-to-order
sales group	G088
Pack	10 pcs.
Customs tariff	85369010
Catalog page information	Page 330 (IF-2011)

Product notes

WEEE/RoHS-compliant since:
04/11/2006



<http://www.download.phoenixcontact.com>
Please note that the data given here has been taken from the online catalog. For comprehensive information and data, please refer to the user documentation. The General Terms and Conditions of Use apply to Internet downloads.

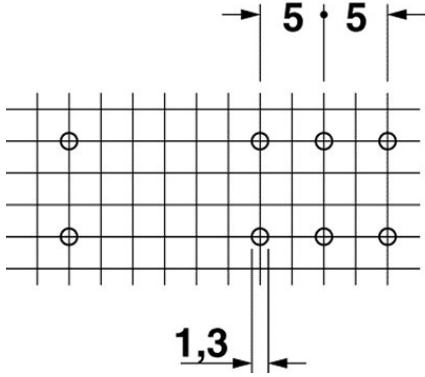
Technical data

General data

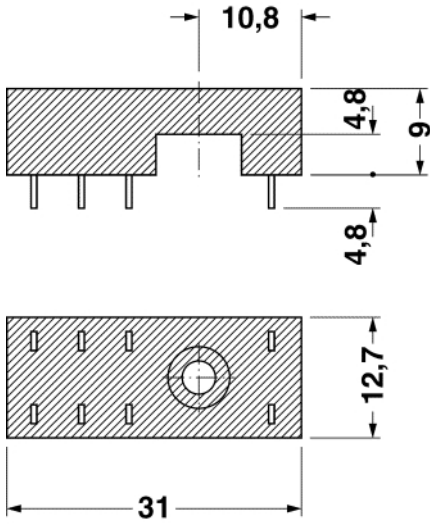
Nominal voltage U_N	250 V
Nominal current I_N	10 A (1-pos.) 2x 10 A (2-pos.)
Test voltage	5 kV AC
Hole diameter	1.3 mm
Pitch	5 mm

Diagrams/Drawings

Drilling plan/solder pad geometry



Dimensioned drawing



Address

PHOENIX CONTACT Inc., USA
586 Fulling Mill Road
Middletown, PA 17057, USA
Phone (800) 888-7388
Fax (717) 944-1625
<http://www.phoenixcon.com>



© 2011 Phoenix Contact
Technical modifications reserved;