


# SIM-ERSN-HB-MR

Order No.: 2271471



<http://eshop.phoenixcontact.de/phoenix/treeViewClick.do?UID=2271471>

Retainer, for miniature relay

Commercial data	
GTIN (EAN)	 4 017918 179724
Note	Made-to-order
sales group	G088
Pack	10 pcs.
Customs tariff	85369010
Catalog page information	Page 330 (IF-2011)

#### Product notes

WEEE/RoHS-compliant since:  
11/15/2006



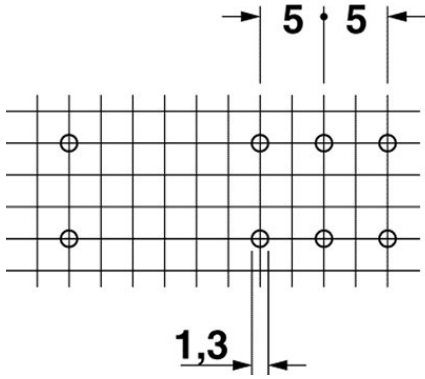
<http://www.download.phoenixcontact.com>  
Please note that the data given here has been taken from the online catalog. For comprehensive information and data, please refer to the user documentation. The General Terms and Conditions of Use apply to Internet downloads.

## Technical data

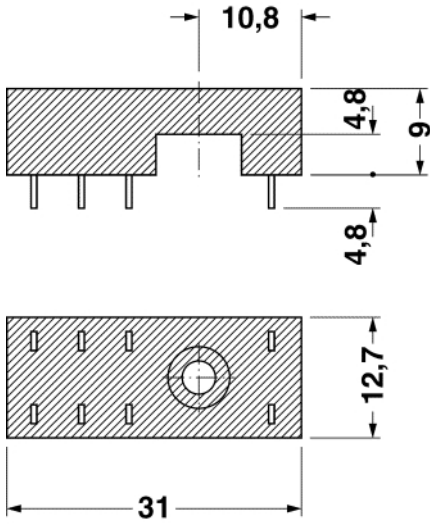
General data	
Nominal voltage $U_N$	250 V
Nominal current $I_N$	10 A (1-pos.) 2x 10 A (2-pos.)
Test voltage	5 kV AC
Hole diameter	1.3 mm
Pitch	5 mm

Diagrams/Drawings

Drilling plan/solder pad geometry



Dimensioned drawing



**Address**

PHOENIX CONTACT Inc., USA  
586 Fulling Mill Road  
Middletown, PA 17057, USA  
Phone (800) 888-7388  
Fax (717) 944-1625  
<http://www.phoenixcon.com>



© 2011 Phoenix Contact  
Technical modifications reserved;