

Advantages of a Finger-Safe, Octal and Square Base Socket System

The Complete System Solution!

SECTION 2



I.D. Tag/Write-On Plastic Label

Used for Custom Identification of Circuits.

Isolated Input and Output Terminals

Separates Control Circuits from Load Circuits.

Slim Design

Minimizes Space on DIN Rail.

Mating Hold-Down Clips Available

Secures Relay to Socket.

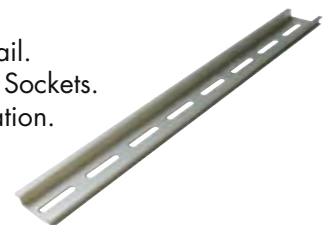


DIN Rail End Clip

Locking Screw Keeps a Snug DIN Rail System by Eliminating Sliding Sockets.

DIN Rail

35 mm Extruded Aluminum Rail. Designed to Work With Most Sockets. Pre-punched for Quick Installation.



- Offers a “one stop solution” for your power management system.
- Plug-In switching capabilities from 5 to 20 Amps.
- Optional Accessories allow for customized applications.
- Ejector clips, ribbed relay housings and space-saving sockets allow for easy removal from crowded DIN rails.
- Color and appearance designed for high visibility in all environments.
- Wiring diagrams include NEMA and IEC standards.

Modules

Allows for Optional Protection or LED Modules to be Used With Sockets.



Finger-Safe

Protects Operators from Live Circuits.

Internal Coil Bus Jumper System

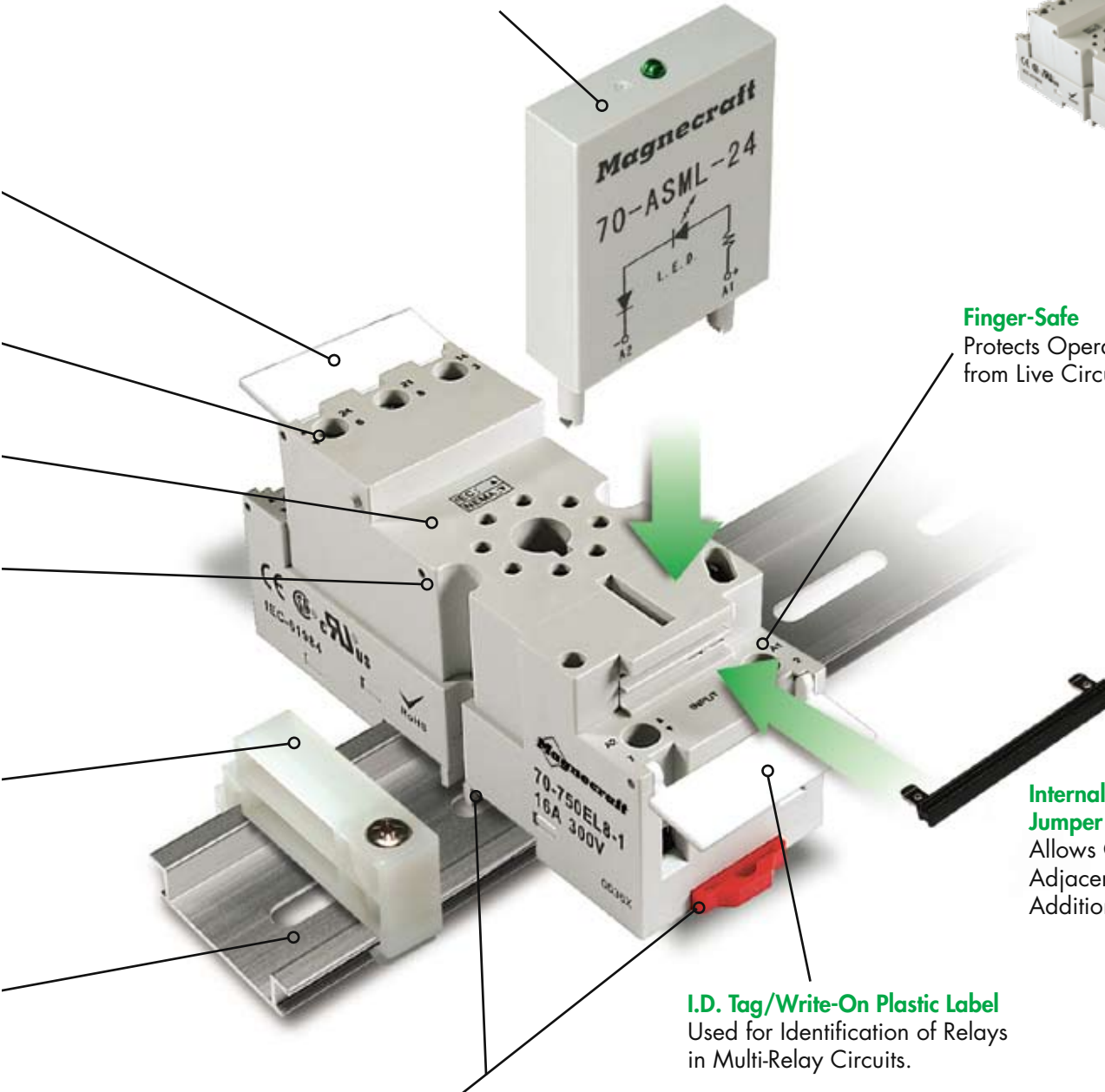
Allows Connection to Adjacent Sockets Without Additional Wiring.

I.D. Tag/Write-On Plastic Label

Used for Identification of Relays in Multi-Relay Circuits.

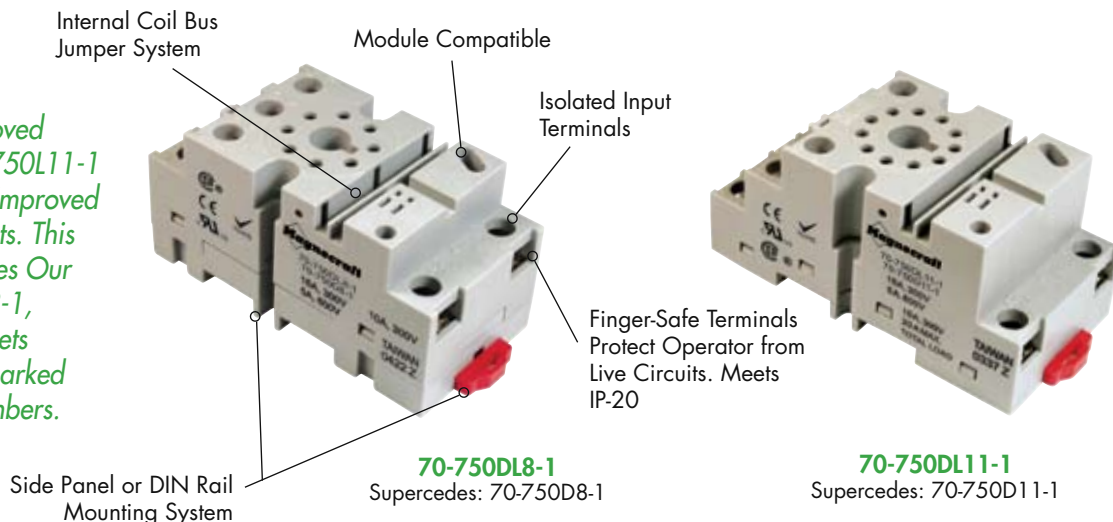
2-Way Side or DIN Rail Mounting System

Retrofits Existing Panel Mounting and 35 mm DIN Rail.



70-750DL8-1, 70-750DL11-1 Sockets/16/5 Amp Rating, 300/600 Volts

The New and Improved 70-750DL8-1, 70-750DL11-1 Sockets Now have Improved Features and Benefits. This New Socket Replaces Our Original 70-750D8-1, 70-750D11-1 Sockets and is Now Dual Marked With Both Part Numbers.



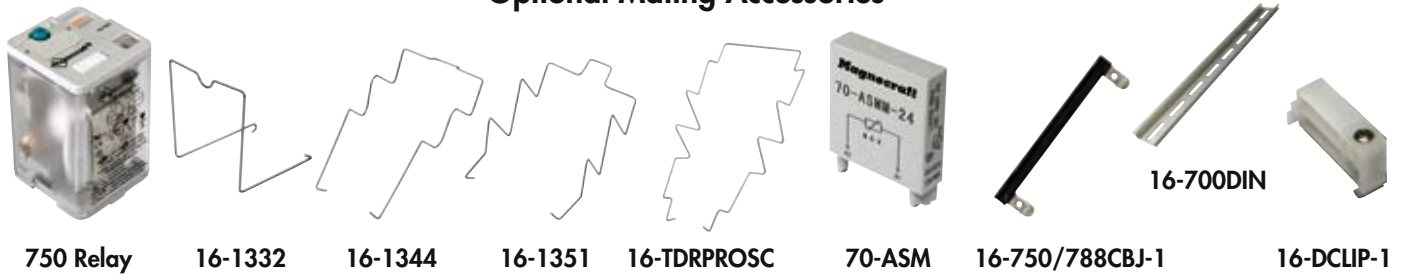
BOLD-FACED PART NUMBERS ARE NORMALLY STOCKED

Standard Part Number	Description
70-750DL8-1 70-750DL11-1	8 and 11-Pin Octal, Logic Style, Finger-Safe, DIN/Panel Mount, Module Compatible

General Specifications (UL 508)

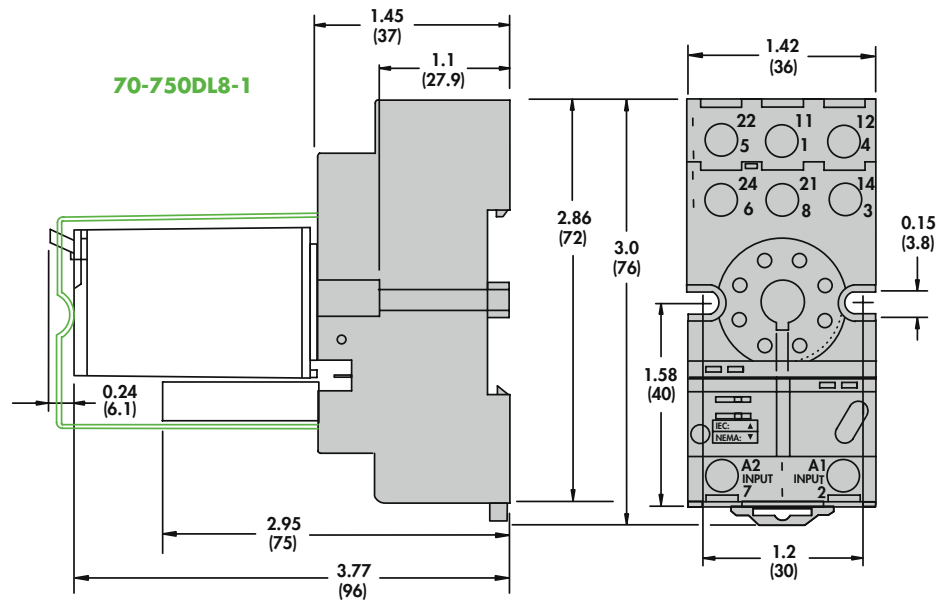
Characteristics	Units	Value
Number of Terminals		8, 11
Electrical Rating		
Nominal Voltage Rating	Volts	300 / 600
Nominal Current Rating	Amps	16 / 5
Dielectric Strength		
Output to Adjacent Output Terminals	V rms	2500
Output to Input Terminals	V rms	2500
Terminals to Rail / Chassis	V rms	2500
Temperature		
Operating Range:	°C	- 40 to + 80
Storage Range:	°C	- 40 to + 105
Construction		
Protection Category (Finger-Safe)	EN 60529	IP 20
Internal Metal Tracks		Copper Alloy, Zinc Plated
Screw Terminals		Steel, Zinc Plated
Screw Style		Combination Head,
Screw size	mm	M3.5
Screw Torque 3.5 mm (Maximum)	Lb-in / Nm	9 / 1.0
Miscellaneous		
Socket Mounting:		Din / Panel
Wire Size Capacity (Maximum)	EN 60204-1	AWG mm2
Sold Cu	AWG, mm2	12 / 14 (2) 4 / 2.5 (2)
Stranded Cu	AWG, mm2	12 / 14 (2) 4 / 2.5 (2)
Wire Connection Method		Screw Clamping
DIN Rail Mounting	EN 60715	35mm
Chassis Mount Screw Torque	Lb-in / Nm	7 / 0.8
Flamability Rating	Class	94V-0
Body Color		Light Gray
DIN Locking Method		Red Plastic Locking Clip
Product Certification		UL, CSA
Conformance		CE, RoHS
Weight	grams	60, 78

Optional Mating Accessories



SECTION 2

Standard Part Number	Description	Catalog Location
750, 750H	Relay	Section 1 p.24-29, 44-47
16-1332	Metal Hold-Down Clip for 750	Section 3 p.8-11
16-1344	Metal Hold-Down Clip for TDRSOX/SRX, 712	Section 3 p.8-11
16-1351	Metal Hold-Down Clip for 750H Relay	Section 3 p.8-11
16-TDRPROSC	Metal Hold-Down Clip for TDRPRO	Section 3 p.8-11
70-ASM	Module	Section 3 p.4-5
16-750/788CBJ-1	Coil Bus Jumper	Section 3 p.13
16-700DIN	Metal DIN Rail	Section 3 p.19
16-DCLIP-1	DIN Rail Locking Clip	Section 3 p.19



Wiring Diagrams Top View

