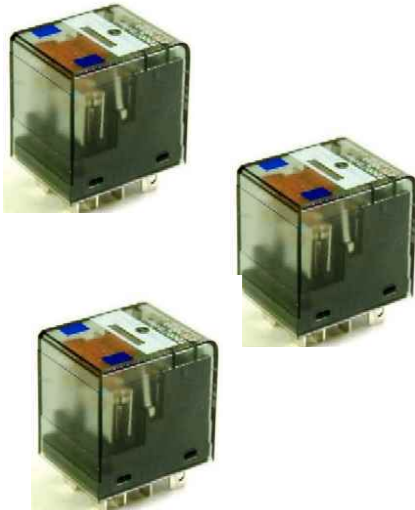


PT Faston 2 pole 15A, DC or AC Coil



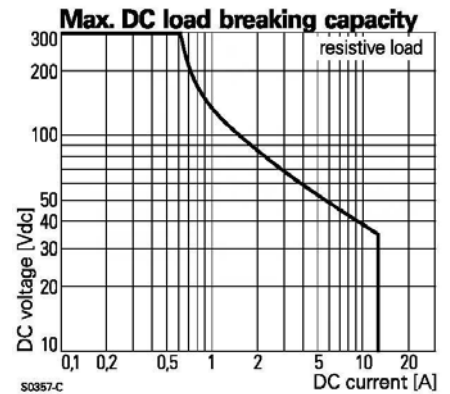
- 2 C/O contacts
- 15A Rated Current
- Relay Height 29mm
- Built-in LED (Green color for DC, RED color for AC)
- Cadmium-free contact material
- Universal use in control and automation.
- Mounting options include socket, PCB, and top flange
- cULus File No. E58304,

Note: VDE not available on all versions, it is under application.

This is a General Purpose Relay with faston terminals and PCB Terminals. Universal use in control and automation machines.



Contact Data	
Configuration	2 C/O
Type of contact	Single contacts
Rated current / Rated voltage	10A/250VAC 15A/120VAC
Max. Breaking voltage AC	250VAC/24VDC
Maximum switching voltage	440VAC/300VDC
Maximum breaking capacity AC	2500VA 1800VA
Make current	30A 20A
Contact Material	AgNi 90/10
Minimum contact load	5VDC 100mA
Contact Resistance	100milliohms@DC6V,1A



Contact Ratings			
Type	Load	AC Coil	DC Coil
PT2**	15A@120VAC	50,000ops (NO side)	100,000ops (NO side)
	10A@250VAC	100,000ops (NO side)	200,000ops (NO side)
	10A@24VDC	50,000ops (NO side)	100,000ops (NO side)

Coil Data		
Nominal voltage	DC coil	6,12,24,48,60,110,220VDC
	AC coil	6,12,24,48,60,100,115,200,230VAC
Nominal coil power	DC coil	Typ.0.75W/max0.9W
	AC coil	Typ.1.0VA/max1.2VA
Operate category	2 / b	
Operating range for AC coil 60Hz at 70°C	90...110%	
Coil insulation	Class 155(F)	

PT Faston 2 pole 15A, DC or AC Coil

Coil Versions, DC coil

Coil Code	Coil Code (with LED)	Nominal Voltage VDC	Pull-in Voltage VDC	Release Voltage VDC	Coil Resistance Ohm	Coil Current mA
006	L06	6	4.5	0.6	48±10%	125.0
012	L12	12	9.0	1.2	192±10%	62.5
024	L24	24	18.0	2.4	777±10%	31.3
048	L48	48	36.0	4.8	3072±10%	15.6
060	L60	60	45.0	6.0	4845±10%	12.5
110	M10	110	82.5	11.0	16133±10%	6.8
220	N20	220	165.0	22.0	64533±10%	3.4

All figures are given for coil without pre-energize, at ambient temperature +20°C

Coil Versions, AC coil

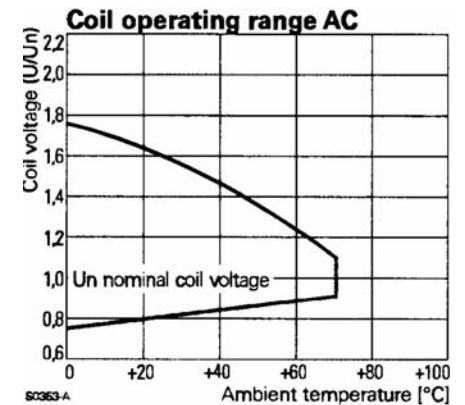
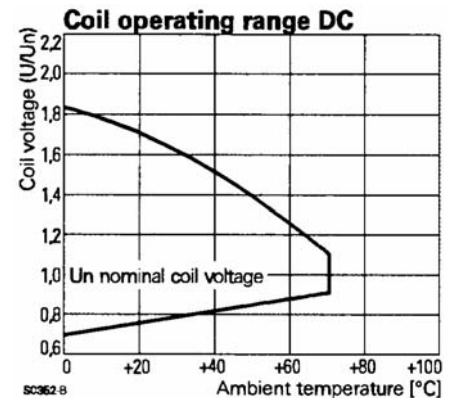
Coil Code	Coil Code (with LED)	Nominal Voltage VAC	Pull-in Voltage VAC	Release Voltage VAC	Coil Resistance Ohm	Coil Current mA
506	R06	6	4.8	1.8	11±10%	166.5
512	R12	12	9.6	3.6	48±10%	83.3
524	R24	24	19.2	7.2	192±10%	41.6
548	R48	48	38.4	14.4	777±10%	21.3
560	R60	60	48.0	18.0	1306±10%	16.7
600	S00	100	80.0	30.0	3550±10%	10.2
615	S15	115	92.0	34.5	4845±10%	8.8
700	T00	200	160.0	60.0	13800±10%	5.0
730	T30	230	184.0	69.0	19465±10%	4.3

Insulation

Dielectric strength	Coil -contacts	2500 Vrms
	Un-energized position typ.	1200 Vrms
	Adjacent contact	2500 Vrms
Clearance / creepage		2.6/4mm
	Insulation to IEC 60664	
Insulation to VDE 0110b (2/79)	Voltage rating	240V
	Pollution degree	3
	Over-voltage category	III
	Insulation category/ref.volt.	C / 250
Tracking resistance of relay base		CTI 250

Other data

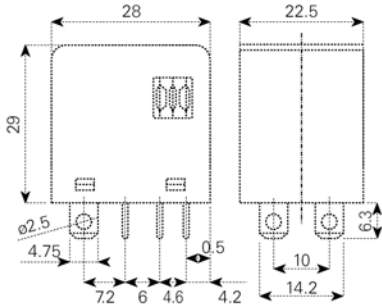
Ambient temperature	DC-coil	-40...+70°C
	AC-coil	-40...+70°C
Mechanical life	DC-coil	>20x10 ⁶
	AC-coil	>15x10 ⁶
Max. Switching rate at rate-/minimum load		6min ⁻¹ /600min ⁻¹
Operate time		<20ms
Release time		<15ms
Vibration resistance N/O contact N/C contact		>7/4g
Shock resistance (function) N/O contact N/C contact		>20/5g
Protection category of IEC 61810		RT II
LED Color	DC-coil	GREEN
	AC-coil	RED
Relay Weight		30g
Packing unit		20pcs.



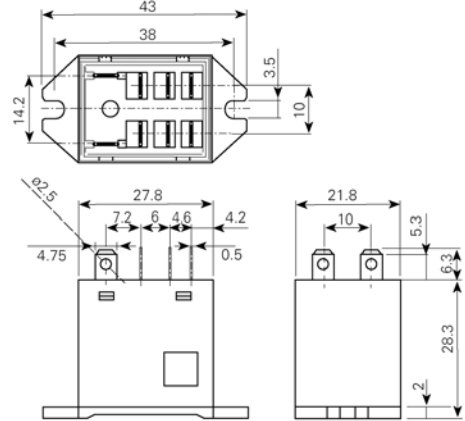
PT Faston 2 pole 15A, DC or AC Coil

Dimensions

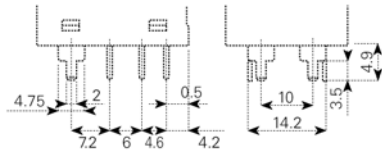
Faston



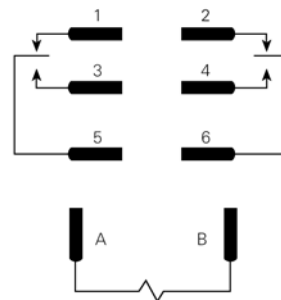
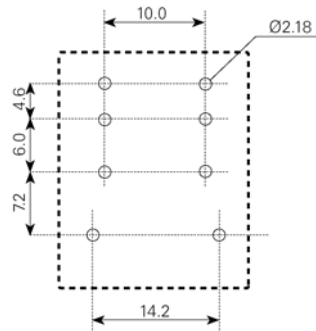
Flanged Mounting



PCB



PCB Layout / Terminal Assignmen



Product Ordering Key

Type

P	T	F					
---	---	---	--	--	--	--	--

PTF

Contact Type

2 2C/O (2 Form C)

Contact Material

2 AgNi 90/10

Relay Cover & Terminal Type

- 0 Faston terminals
- 1 PCB terminals
- 2 Flanged mounting cover

Coil code & Built-in LED

XXX Please refer to "Coil Versions" table on pge2.

PT Faston 2 pole 15A, DC or AC Coil

Description	Contact Configuration	Contact Material	Terminal Type	Coil	Coil	Tyco Part Number				
PTF20006	2 Form C, Single	AgNi	Faston Terminal	DC	6VDC	1461937-1				
PTF20012					12VDC	1461937-2				
PTF20024					24VDC	1461937-3				
PTF20048					48VDC	1461937-4				
PTF20060					60VDC	1461937-5				
PTF20110					110VDC	1461937-6				
PTF20220					220VDC	1461937-7				
PTF21006					PCB Terminal	DC	6VDC	1461937-8		
PTF21012								12VDC	1461937-9	
PTF21024								24VDC	1-1461937-0	
PTF21048								48VDC	1-1461937-1	
PTF21060								60VDC	1-1461937-2	
PTF21110								110VDC	1-1461937-3	
PTF21220								220VDC	1-1461937-4	
PTF20506			Faston Terminal	AC				6VAC	1461938-1	
PTF20512									12VAC	1461938-2
PTF20524									24VAC	1461938-3
PTF20548					48VAC	1461938-4				
PTF20560					60VAC	1461938-5				
PTF20600					100VAC	1461938-6				
PTF20615					115VAC	1461938-7				
PTF20700					200VAC	1461938-8				
PTF20730					230VAC	1461938-9				
PTF21506					PCB Terminal	AC	6VAC		1-1461938-0	
PTF21512									12VAC	1-1461938-1
PTF21524									24VAC	1-1461938-2
PTF21548									48VAC	1-1461938-3
PTF21560									60VAC	1-1461938-4
PTF21600			100VAC	1-1461938-5						
PTF21615			115VAC	1-1461938-6						
PTF21700			200VAC	1-1461938-7						
PTF21730			230VAC	1-1461938-8						
PTF20L06			2 Form C, Single	AgNi				Faston Terminal	DC+LED	6VDC
PTF20L12					12VDC	1461944-2				
PTF20L24	24VDC	1461944-3								
PTF20L48	48VDC	1461944-4								
PTF20L60	60VDC	1461944-5								
PTF20M10	110VDC	1461944-6								
PTF20N20	220VDC	1461944-7								
PTF21L06	PCB Terminal	DC+LED			6VDC	1461944-8				
PTF21L12						12VDC	1461944-9			
PTF21L24						24VDC	1-1461944-0			
PTF21L48						48VDC	1-1461944-1			
PTF21L60						60VDC	1-1461944-2			
PTF21M10						110VDC	1-1461944-3			
PTF21N20						220VDC	1-1461944-4			

PT Faston 2 pole 15A, DC or AC Coil

Description	Contact Configuration	Contact Material	Terminal Type	Coil	Coil	Tyco Part Number		
PTF20R06	2 Form C, Single	AgNi	Faston Terminal	AC+LED	6VAC	1461945-1		
PTF20R12					12VAC	1461945-2		
PTF20R24					24VAC	1461945-3		
PTF20R48					48VAC	1461945-4		
PTF20R60					60VAC	1461945-5		
PTF20S00					100VAC	1461945-6		
PTF20S15					115VAC	1461945-7		
PTF20T00					200VAC	1461945-8		
PTF20T30					230VAC	1461945-9		
PTF21R06					PCB Terminal		AC+LED	6VAC
PTF21R12			12VAC	1-1461945-1				
PTF21R24			24VAC	1-1461945-2				
PTF21R48			48VAC	1-1461945-3				
PTF21R60			60VAC	1-1461945-4				
PTF21S00			100VAC	1-1461945-5				
PTF21S15			115VAC	1-1461945-6				
PTF21T00			200VAC	1-1461945-7				
PTF21T30			230VAC	1-1461945-8				
PTF22006			2 Form C, Single	AgNi				Faston Terminal
PTF22012					12VDC	1721058-2		
PTF22024	24VDC	1721058-3						
PTF22048	48VDC	1721058-4						
PTF22060	60VDC	1721058-5						
PTF22110	110VDC	1721058-6						
PTF22220	220VDC	1721058-7						
PTF22506	Flanged Mounting				AC	6VAC	1721058-8	
PTF22512						12VAC	1721058-9	
PTF22524						24VAC	1-1721058-0	
PTF22548						48VAC	1-1721058-1	
PTF22560						60VAC	1-1721058-2	
PTF22600						100VAC	1-1721058-3	
PTF22615						115VAC	1-1721058-4	
PTF22700						200VAC	1-1721058-5	
PTF22730						230VAC	1-1721058-6	

Accessories are on next page =>

PT Faston 2 pole 15A, DC or AC Coil

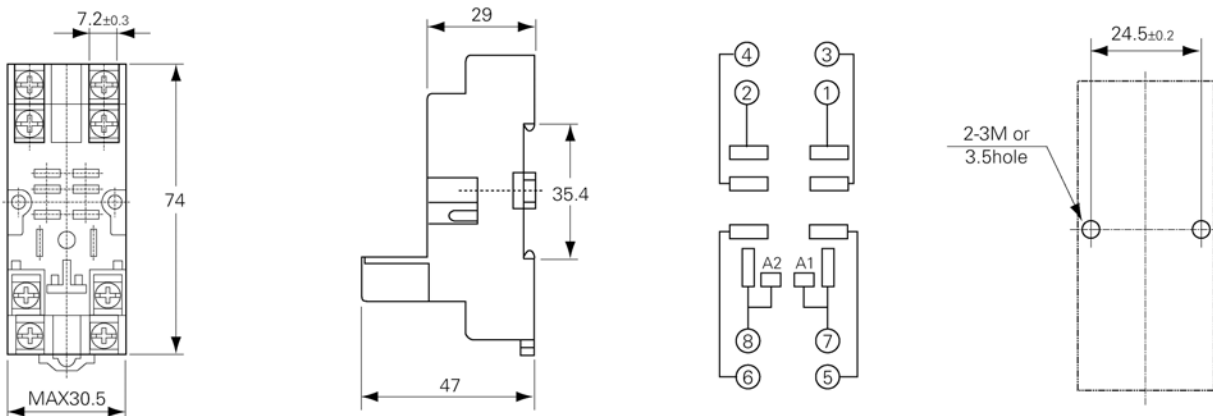
Sockets for DIN rail mounting 2pole, Accessories

Technical Data	
Rated Current	15A/2pole
Rated Voltage	120Vac
Insulation Cat. (VDE0110b)	C/250Vac
Ambient Temperature	-45~+70°C
Protection Category	IP20
Protection against accidental Contact meets	VBG 4
Dielectric Endurance	2000VAC
Insulation resistance	1000Mohm
Terminal Torque	0.5Nm
Terminal Torque max.	0.7Nm
Packing Unit	10pcs



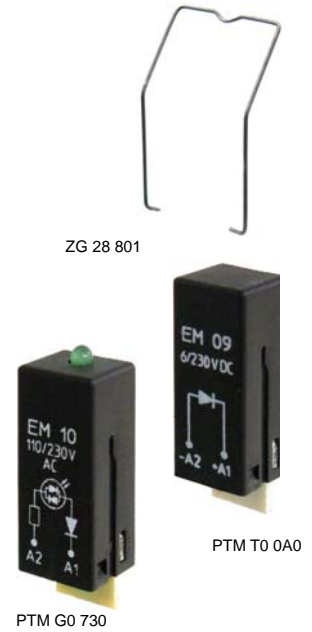
Socket with Screw Terminals (2 pole)		
Product Name	Tyco Part No.	Description
PT 78 9F0	1461883-1	DIN Rail Socket with Screw Terminals, 2pole Faston terminals

Dimensions - Terminal location top view [in mm]
 PT789F0 DIN Rail Socket with Screw Terminals, 2pole , Faston terminals



PT Faston 2 pole 15A, DC or AC Coil

Accessories		
ZG 28 801	1-1393162-5	Hold Down Spring (Metal), Relay Height for 36mm
PT 28 901	0-1721094-1	Hold Down Spring (Metal), Relay Height for 36mm(For PT&PTH)
PT 28 800	5-1419111-9	Hold Down Spring (Metal), Relay Height for 29mm
PTM T0 0A0	9-1415036-1	Protection Diode (A1+,A2-)
PTM T0 0L0	0-1415037-1	Protection Diode (A1-,A2+)
PTM U0 524	1-1415037-1	RC-network 6-60Vac
PTM U0 730	2-1415037-1	RC-network 110-230Vac
PTM V0 524	3-1415037-1	Varistor 24Vac
PTM V0 730	4-1415037-1	Varistor 230Vac
PTM L0 524	6-1415036-1	Red LED 6-24Vdc/Vac
PTM G0 524	3-1415036-1	Green LED 6-24Vdc/Vac
PTM L0 024	5-1415036-1	Red LED 6-24Vdc, w. Protection Diode (A1+,A2-)
PTM G0 024	2-1415036-1	Green LED 6-24Vdc, w. Protection Diode (A1+, A2-)
PTM L1 024	8-1415036-1	Red LED 6-24Vdc, w. Protection Diode (A1-,A2+)
PTM L0 730	7-1415036-1	Red LED 110-230Vdc/Vac
PTM G0 730	4-1415036-1	Green LED 110-230Vdc/Vac



Note1:

Followings are the socket specification meets Electrical Appliance and Material Safety Law.

※ If it is not necessary to meet Electrical Appliance and Material Safety Law, Please see technical data.

Product Name	Pole	Specification
PT789F0	2pole	10A 200V AC