



DESCRIPTION

These miniaturized 1-Form-A and 2-Form-A high-performance reed relays feature minimal input power, high isolation, electromagnetic shielding and a fully encapsulated assembly to meet power, size and assembly requirements in a broad spectrum of applications, including telecommunications and ATE.

FEATURES

- High isolation
- Electromagnetic shielding
- Fully encapsulated assembly to meet power, size and assembly requirements
- Low input power

APPLICATIONS

- Telecommunications
- ATE

RATINGS (@ 25° C)

Parameter	Min	Typ	Max	Unit
Switching Voltage			1000	Volts
Switching Current			2	Amps
Carry Current			4	Amps
Switching Frequency			200	Hz
Contact Resistance			50	mΩ

(See detailed specifications for more information.)



HRM SERIES REED RELAYS

Special Applications

SPECIFICATIONS

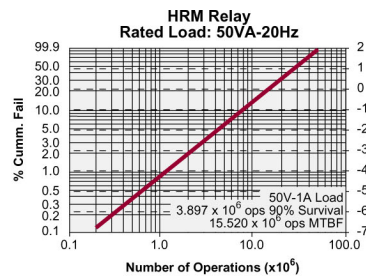
All parameters are at 25°C unless otherwise stated.
Operate voltage, release voltage, and coil resistance will change by 0.4%/°C as ambient temperature varies.

HRM
Low power
High isolation

PARAMETER	CONDITIONS	SYMBOL	MIN	TYP	MAX	UNITS
Contact Ratings						
Switching Voltage	Max DC/Peak AC Resistive	VL	-	-	1000	Volts ⁽²⁾
Switching Current	Max DC/Peak AC Resistive	IL	-	-	2	Amps
Carry Current	Max DC/Peak AC Resistive	Ic	-	-	4	Amps
Contact Rating	Max DC/Peak AC Resistive				50	Watts
Life Expectancy	Signal Level 1.0V, 10mA Rated Loads ⁽¹⁾	-	1000	2000	-	x10 ⁶ Ops
Static Contact Resistance	50mV, 10mA	CR	-	-	50	mΩ
Contact Material		-	-	Hg	-	
Hg Content		-	-	40	-	mgrams
Relay Specifications						
Insulation Resistance	Between all isolated pins at 100V, 25°C, 40%RH	IR	10 ⁸	-	-	Ω
Capacitance	Across Open Contacts	-	-	0.6	-	pF
	Closed Contact to Coil	-	4	-	-	pF
Dielectric Strength	Between Contacts	I/O	1400	-	-	VDC/peak AC
	Contacts to Coil	I/O	1400	-	-	VDC/peak AC
Operate Time	At Nominal coil voltage, 10Hz Square Wave	TOP	-	-	2	ms
Release Time	Zener-Diode Suppression	TREL	-	-	2	ms
Environmental Ratings						
Storage Temperature		TA	-40	-	+105	°C
Operating Temperature		To	-38	-	+85	°C
Soldering Temperature					+260	°C
Vibration Resistance (Survival)	10Hz to 500Hz	G	-	-	5	Gs
Shock Resistance (Survival)	11±1ms, 1/2 Sine Wave	S	-	-	30	Gs
Weight		-	-	2.9	-	grams

(1) Consult factory for life requirements

(2) Current limit at 5 mA above 500V.

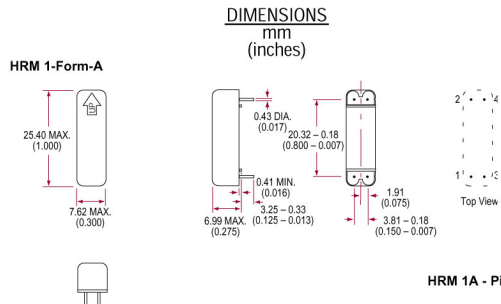


COIL SPECIFICATIONS

Units	Coil Voltage			Coil Resistance			Operate Voltage			Release Voltage		
	Volts			Ω			Volts			Volts		
Conditions				+/- 10% (25°C)			Must operate by (25°C)			Must release by (25°C)		
Part #	Min	Typ	Max	Min	Typ	Max	Min	Typ	Max	Min	Typ	Max
HRM1A05		5	16	297	330	363			4	0.5		
HRM1A12		12	39	1728	1920	2112			9.6	1.2		
HRM1A24		24	78	6912	7680	8448			19.2	2.4		
HRM2A05		5	16	270	300	330			4	0.5		
HRM2A12		12	39	1575	1750	1925			9.6	1.2		
HRM2A24		24	78	6525	7250	7975			19.2	2.4		

MECHANICAL DIMENSIONS

ORDERING INFORMATION



A complete part number is represented by the digits below.

