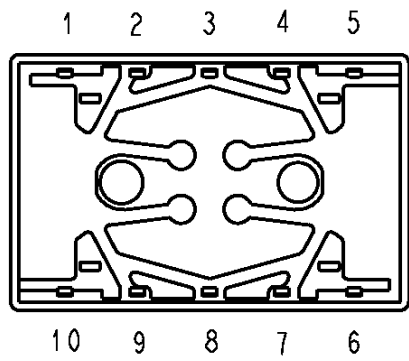
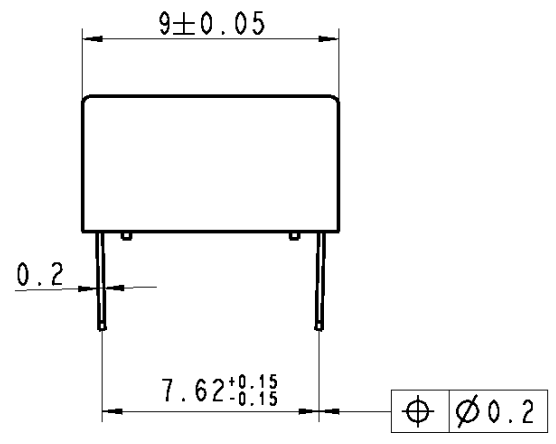
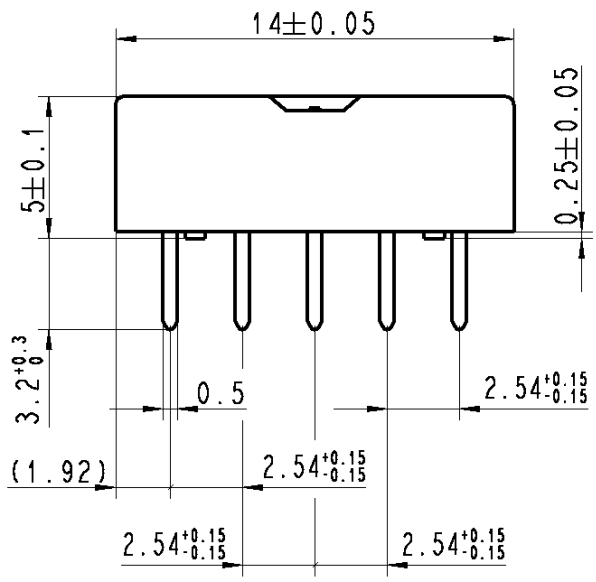


LOC	DIST	REVISIONS			
P	LTR	DESCRIPTION	DATE	DWN	APVD
HJ	-	A4	REVISED PER ECO-11-005150	23MAR11	RK HMR



Relay - bottom view



1242010800023
AXICOM SWISS
 FP2 Dxxxx
 zzV YYWW

xxxx = Relay type
 zz = nominal voltage
 YYWW = Date code

THIS DRAWING IS UNPUBLISHED. ALL RIGHTS RESERVED. BY - © COPYRIGHT

DRAWING ALIAS D02239-DOK51

DIMENSIONS: mm	DWN AB 9124	23Aug1995	MATERIAL	-	FINISH	-
	CHK HD 9121	23Aug1995	TE Connectivity			
TOLERANCES UNLESS OTHERWISE SPECIFIED: DIN 7168-m	APVD HD 9121	23Aug1995				
0 PLC ±-	PRODUCT SPEC	-	NAME FP2-Relay Dimensions			
1 PLC ±-	APPLICATION SPEC	-	SIZE	CAGE CODE	DRAWING NO	RESTRICTED TO
2 PLC ±-			A4	00779	C-1462033-2	-
3 PLC ±-	WEIGHT	-	CUSTOMER DRAWING			SCALE 4:1
4 PLC ±-						SHEET 1 OF 1
ANGLES ±-						REV A4

