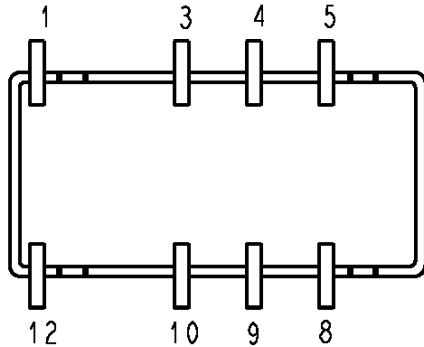
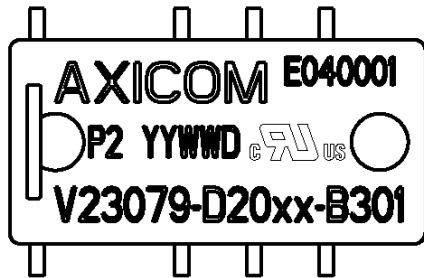
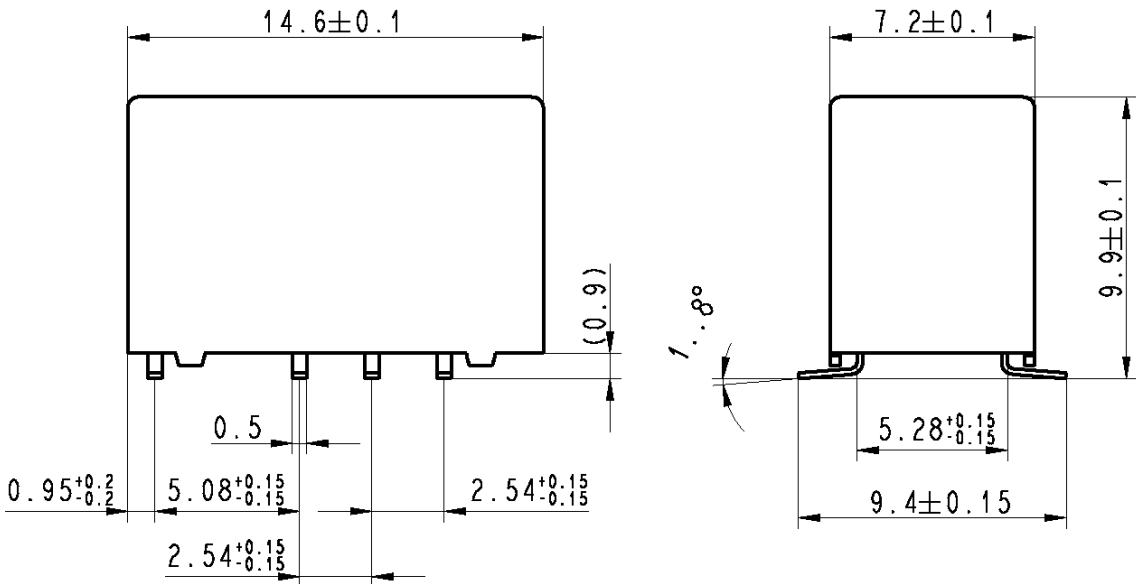


LOC	DIST	REVISIONS					
HJ	-	P	LTR	DESCRIPTION	DATE	DWN	APVD
		C2		REVISED PER ECO-11-005150	25MAR11	RK	HMR



Relay - bottom view



xx = Relay type
YYWW = Date code

THIS DRAWING IS UNPUBLISHED. ALL RIGHTS RESERVED. BY -

DIMENSIONS: mm		DWN Korytak 02Jun2004	MATERIAL -	FINISH -			
TOLERANCES UNLESS OTHERWISE SPECIFIED: DIN 7168-m		CHK Korytak 02Jun2004	TE Connectivity				
0 PLC ±- 1 PLC ± 2 PLC ± 3 PLC ± 4 PLC ± ANGLES ±-		APVD Korytak 02Jun2004					
		PRODUCT SPEC -	NAME P2-Relay SMT W Dimensions				
		APPLICATION SPEC -	SIZE A4	CAGE CODE 00779	DRAWING NO C-1393789-4	RESTRICTED TO -	
		WEIGHT -	CUSTOMER DRAWING		SCALE 4:1	SHEET 1 OF 1	REV C2