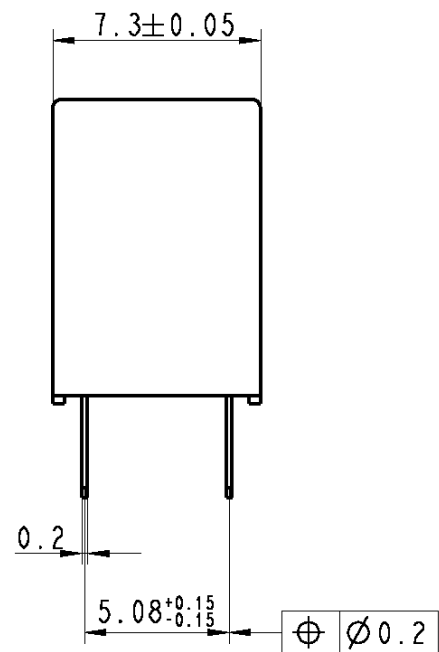
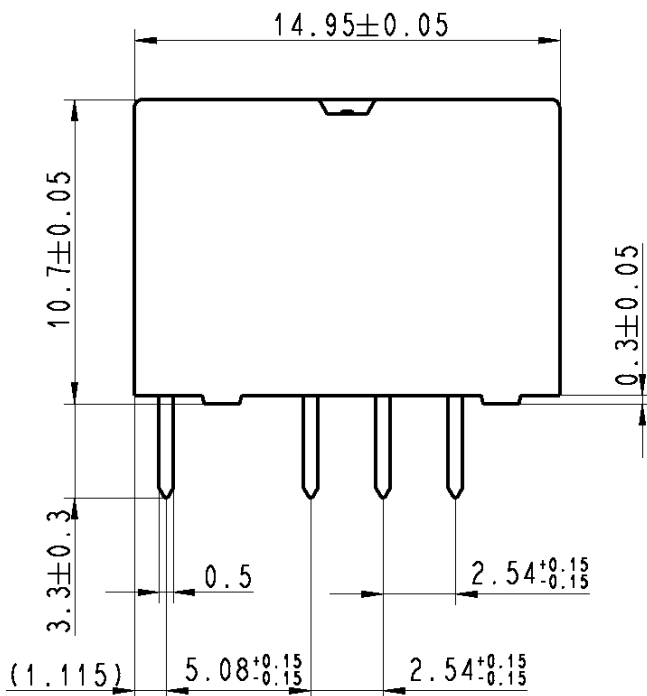
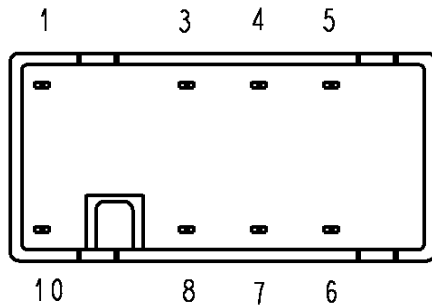


LOC	DIST	REVISIONS				
P	LTR	DESCRIPTION	DATE	DWN	APVD	
HJ	-	A6	REVISED PER ECO-11-005150	23MAR11	RK	HMR



2814009921999
AXICOM Swiss
FX2 Dxxxx
zzV= **YYWW**

xxxx = Relay type
zz = nominal voltage
YYWW = Date code

THIS DRAWING IS UNPUBLISHED. BY - ALL RIGHTS RESERVED.

DIMENSIONS: mm		DWN RG 9181 21Mar1995	MATERIAL -	FINISH -
TOLERANCES UNLESS OTHERWISE SPECIFIED: DIN 7168-m		CHK HD 9121 21Mar1995	TE Connectivity	
0 PLC ±- 1 PLC ±- 2 PLC ±- 3 PLC ±- 4 PLC ±- ANGLES ±-		APVD HD 9121 21Mar1995		
		PRODUCT SPEC -	NAME FX2-Relay Dimensions	
WEIGHT -		APPLICATION SPEC -	SIZE A4	CAGE CODE 00779
CUSTOMER DRAWING		RESTRICTED TO -	DRAWING NO C-1462034-2	
SCALE 4:1		SHEET 1 OF 1		REV A6

DRAWING ALIAS D02309-DOK51