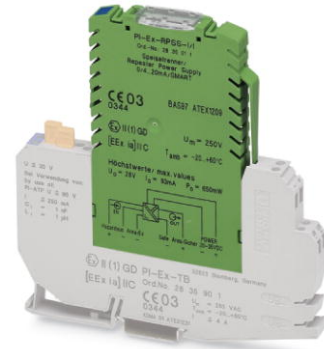


PI-EX-RPSS-I/I

This product has been replaced by a newer version.

Order No.: 2835011



<http://eshop.phoenixcontact.de/phoenix/treeViewClick.do?UID=2835011>

Ex-i analog input: Repeater power supply, HART. Feeds intrinsically safe 2- or 3-conductor measuring transducers installed in an Ex area and transmits the 4-20 mA signal to a load in a safe area. Galvanic 3-way isolation (input / output / supply).



<http://www.download.phoenixcontact.com>
Please note that the data given here has been taken from the online catalog. For comprehensive information and data, please refer to the user documentation. The General Terms and Conditions of Use apply to Internet downloads.

Commercial data

GTIN (EAN)	
Note	Made-to-order
sales group	H700
Pack	1 pcs.
Customs tariff	85437090
Catalog page information	Page 370 (IF-2007)

Technical data

Input data

Signal input	Current input, intrinsically safe
Available input sources	2-wire measuring transducers, 4...20 mA
Current input signal	4 mA ... 20 mA
Transmitter supply voltage	16.5 V (at 20 mA)
Transmitter supply current	≤ 24 mA

Output data

Signal output	Current output
Current output signal	4 mA ... 20 mA
Output current with short-circuit	Approx. 40 mA (Current limitation)
Output current with wire break	0 mA
Load/output load current output	≤ 600 Ω
Output resistor	> 2 MΩ
Output ripple (current)	< 40 μA _{PP} (For 600 Ω)

Power supply

Supply voltage range	20 V DC ... 35 V DC
Max. current consumption	75 mA (at 24 V)
Power consumption	max. 1.3 W (at 24 V)

General data

No. of channels	1
Maximum transmission error	≤ 0.05 % (Of end value (at 20°C))
Maximum temperature coefficient	< 0.005 %/K
Ambient temperature (operation)	max. -20 °C ... 60 °C (See data sheet)
Ambient temperature (storage/transport)	-40 °C ... 80 °C
Step response (10-90%)	< 40 μs
Status display	Green LED (supply voltage)
Width	12.4 mm
Height	145 mm
Depth	147 mm
Inflammability class acc. to UL 94	V0
Housing material	PBT and polyamide PA non-reinforced
Degree of protection	IP20
Color	green
Electrical isolation input / output	375 V (Peak value, in acc. with EN 50020)
Electrical isolation input / supply	375 V (Peak value, in acc. with EN 50020)
Electrical isolation output / supply	1.5 kV (50 Hz, 1 min., test voltage)
Conformance	CE-compliant
ATEX	Ex II (1) GD [Ex ia] IIC

Data communication (bypass)

HART function	Yes
---------------	-----

Protocols supported	HART, Honeywell DE, Foxboro (others on request)
---------------------	---

Safety data

Max. voltage U_o	28 V
Max. current I_o	93 mA
Max. power P_o	650 mW
Gas group	II A
Max. external inductivity L_o	36.02 mH
Max. external capacity C_o	2.15 μ F
Gas group	II B
Max. external inductivity L_o	17.72 mH
Max. external capacity C_o	0.65 μ F
Gas group	II C
Max. external inductivity L_o	4.3 mH
Max. external capacity C_o	0.083 μ F
Safety-related maximum voltage U_m	250 V AC

Certificates / Approvals



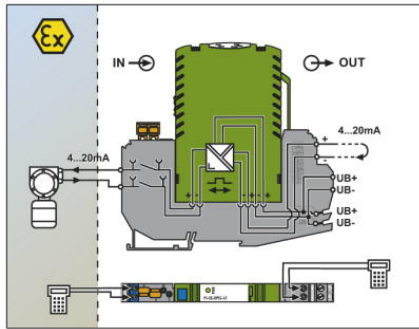
Certification	GOST
Certification Ex:	CUL-EX LIS, FM, UL-EX LIS

Additional products

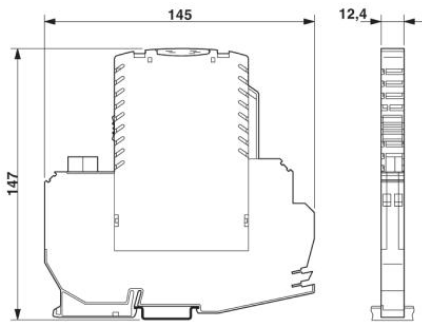
Item	Designation	Description
General		
2835325	PI-EX-ES-1/3	Ex basic terminal block, with three terminal points to the field level (Ex area)
2835901	PI-EX-TB	Ex base terminal block for intrinsically safe signals with knife disconnection and test connections
2858386	TT-PI-EX-TB	Intrinsically safe basic terminal block with isolating connector, test connections and surge protection, for mounting on NS 35/7.5

Diagrams/Drawings

Block diagram



Dimensioned drawing



Address

PHOENIX CONTACT Inc., USA
586 Fulling Mill Road
Middletown, PA 17057, USA
Phone (800) 888-7388
Fax (717) 944-1625
<http://www.phoenixcon.com>



© 2011 Phoenix Contact
Technical modifications reserved;