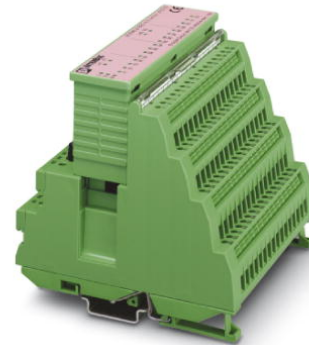



## IB ST 24 DO 8/3-2A

Order No.: 2754891

The illustration shows version IB ST 24 BDO 8/3

<http://eshop.phoenixcontact.de/phoenix/treeViewClick.do?UID=2754891>

INTERBUS-ST digital output module, 8 outputs, 24 V DC, 2 A, 3-wire connection method, IP20 protection, comprising: terminal part with screw connection and electronics module

Commercial data	
GTIN (EAN)	 4 017918 063382
sales group	K401
Pack	1 pcs.
Customs tariff	85389091
Catalog page information	Page 237 (AX-2011)

### Product notes

WEEE/RoHS-compliant since:  
11/21/2007

<http://www.download.phoenixcontact.com>  
Please note that the data given here has been taken from the online catalog. For comprehensive information and data, please refer to the user documentation. The General Terms and Conditions of Use apply to Internet downloads.

### Product description

INTERBUS ST digital output modules

The digital INTERBUS output modules are designed for the connection of digital actuators, such as electromechanical valves, contactors or lamps.

In addition to the standard IB ST 24 BDO modules, the range is rounded off by modules with extended functionality.

The scope of functions provided by the standard models covers the majority of applications. On top of this, several modules provide additional electronic functions, such as:

- Output channels in up to four electrically isolated groups
- Separate electronic short-circuit protection for each output channel
- Higher output current, which are needed in individual applications.

All the typical advantages of INTERBUS-ST handling, such as multi-wire connection methods and plug-in electronics are provided by both product lines.

#### Technical data

##### Interface

Fieldbus system	Lokalbus
Name	ST local bus
Connection method	ST local bus connector

##### Digital outputs

Output name	Digital outputs
Connection method	Screw connection
	3-conductor
Number of outputs	8
Protective circuit	Short-circuit protection Electronic
Maximum output current per channel	2 A
Maximum output current per module / terminal block	10 A
Maximum output current per group	5 A

##### Power supply for module electronics

Supply voltage	24 V DC
Supply voltage range	20 V DC ... 30 V DC (including ripple)
Ripple	3.6 V <sub>pp</sub> within the allowable voltage range
Current consumption	100 mA
Communications power U <sub>L</sub>	9 V DC
Current consumption	max. 100 mA

##### General data

Width	118 mm
Height	117 mm
Depth	116 mm

Weight	770 g
Mounting type	DIN rail
Ambient temperature (operation)	0 °C ... 55 °C
Ambient temperature (storage/transport)	-20 °C ... 70 °C
Permissible humidity (operation)	75 % (no condensation)
Permissible humidity (storage/transport)	95 % (no condensation)
Air pressure (operation)	86 kPa ... 108 kPa (1500 m above sea level)
Air pressure (storage/transport)	66 kPa ... 108 kPa (3500 m above sea level)
Degree of protection	IP20
Protection class	III, IEC 61140, EN 61140, VDE 0140-1

### Certificates / Approvals



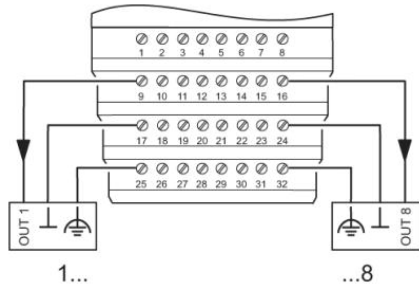
Certification CUL, GOST, UL

### Accessories

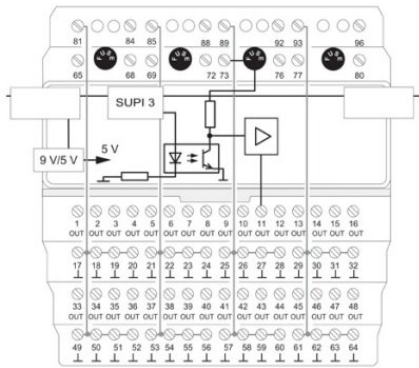
Item	Designation	Description
<b>Bridges</b>		
2836269	EB 84 IB ST BU	Insertion bridges, divisible, isolated comb spine, color blue, 84-pos.
2836272	EB 84 IB ST RD	Insertion bridges, divisible, isolated comb spine, color red, 84-pos.
<b>Cable/conductor</b>		
2836492	IB ST LBC	Spare local bus cable, for INTERBUS-ST modules
<b>Fuse</b>		
2767383	IBS TR5 5AT	Replacement fuse, for INTERBUS-ST modules
<b>Replacement module electronics</b>		
2754972	IB STME 24 DO 8/3-2A	Replacement module electronics for IB ST (ZF) 24 BDO 8/3-2 A

## Diagrams/Drawings

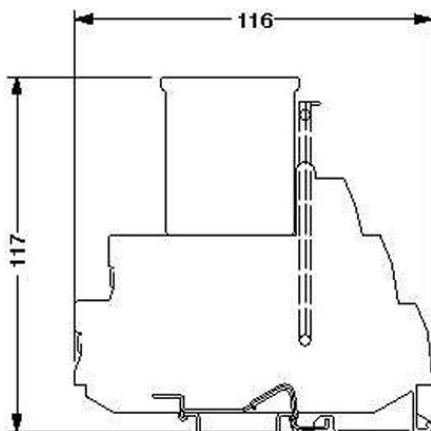
### Connection diagram



### Block diagram



### Dimensioned drawing



**Address**

PHOENIX CONTACT Inc., USA  
586 Fulling Mill Road  
Middletown, PA 17057, USA  
Phone (800) 888-7388  
Fax (717) 944-1625  
<http://www.phoenixcon.com>



© 2011 Phoenix Contact  
Technical modifications reserved;