

PI/EX-ME-2NAM/TO-700HZ

This product has been replaced by a newer version.

Order No.: 2835480




<http://eshop.phoenixcontact.de/phoenix/treeViewClick.do?UID=2835480>

NAMUR switching amplifier, 2-channel, input: Intrinsically safe, transistor output



Commercial data

GTIN (EAN)	 4 017918 181215
Note	Made-to-order
sales group	H703
Pack	1 pcs.
Customs tariff	85437090
Catalog page information	Page 405 (IF-2007)

Product notes

WEEE/RoHS-compliant since:
03/27/2007



<http://www.download.phoenixcontact.com>
Please note that the data given here has been taken from the online catalog. For comprehensive information and data, please refer to the user documentation. The General Terms and Conditions of Use apply to Internet downloads.

Technical data

Input data

Non-load voltage	8.5 V DC
Switching points (attenuated)	< 1.55 mA (blocking)
Switching points (unattenuated)	> 1.75 mA (conductive)

Output data

Switching output	Transistor output, passive, npn or pnp
Configurable/programmable	Can be inverted via a switch in the front of the housing
Voltage for switching output	24 V DC (Max. 30 V DC, external)
Switching current	max. 100 mA (short-circuit resistant)

Power supply

Supply voltage range	20 V DC ... 30 V DC
Max. current consumption	< 45 mA (24 V DC)
Power consumption	0.5 W (per channel)

Connection data

Conductor cross section solid min.	0.2 mm ²
Conductor cross section solid max.	2.5 mm ²
Conductor cross section stranded min.	0.2 mm ²
Conductor cross section stranded max.	2.5 mm ²
Conductor cross section AWG/kcmil min.	24
Conductor cross section AWG/kcmil max	14
Stripping length	8 mm
Screw thread	M3
Connection method	Pluggable screw connection
Tightening torque, min	0.5 Nm
Tightening torque max	0.6 Nm

General data

No. of channels	2
Ambient temperature (operation)	-20 °C ... 60 °C
Ambient temperature (storage/transport)	-25 °C ... 80 °C
Permissible relative humidity (operation)	< 75 % (annual average) < 95 % (30 days/year, no condensation)
Status display	Green LED (supply voltage) LED yellow (switching state) Red LED (line errors)
Width	22.5 mm
Height	99 mm
Depth	114.5 mm
Inflammability class acc. to UL 94	V0

Standards/regulations	NAMUR recommendation NE 21
Housing material	Polyamide PA non-reinforced
Color	green
Electrical isolation input / output / supply	375 V (Peak value, in acc. with EN 50020)
Conformance	CE-compliant
ATEX	Ex II (1)GD, [EEx ia] IIC, TÜV 00 ATEX 1527
UL, USA / Canada	cULus

Certificates / Approvals



Certification	GOST, UCIEE
Certification Ex:	CUL-EX LIS, TUEV-N-EX, UL-EX LIS

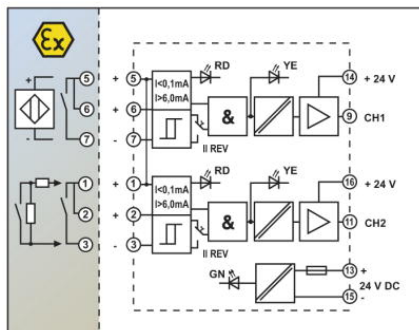
Accessories

Item	Designation	Description
Bridges		
2820916	DB 50- 90 BK	Wire bridge, Color: black
2821180	DB 50- 90 BU	Wire bridge, Color: blue
2820929	DB 50- 90 GY	Wire bridge, Color: gray

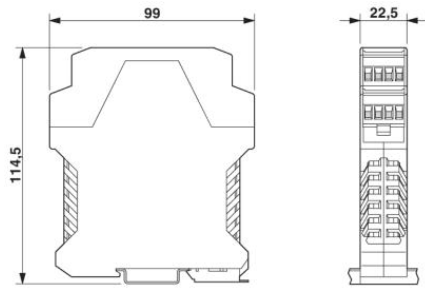
Diagrams/Drawings

Block diagram

Block diagram PI-EX-ME-2NAM/TO



Dimensioned drawing



Address

PHOENIX CONTACT Inc., USA
586 Fulling Mill Road
Middletown, PA 17057, USA
Phone (800) 888-7388
Fax (717) 944-1625
<http://www.phoenixcon.com>



© 2011 Phoenix Contact
Technical modifications reserved;