

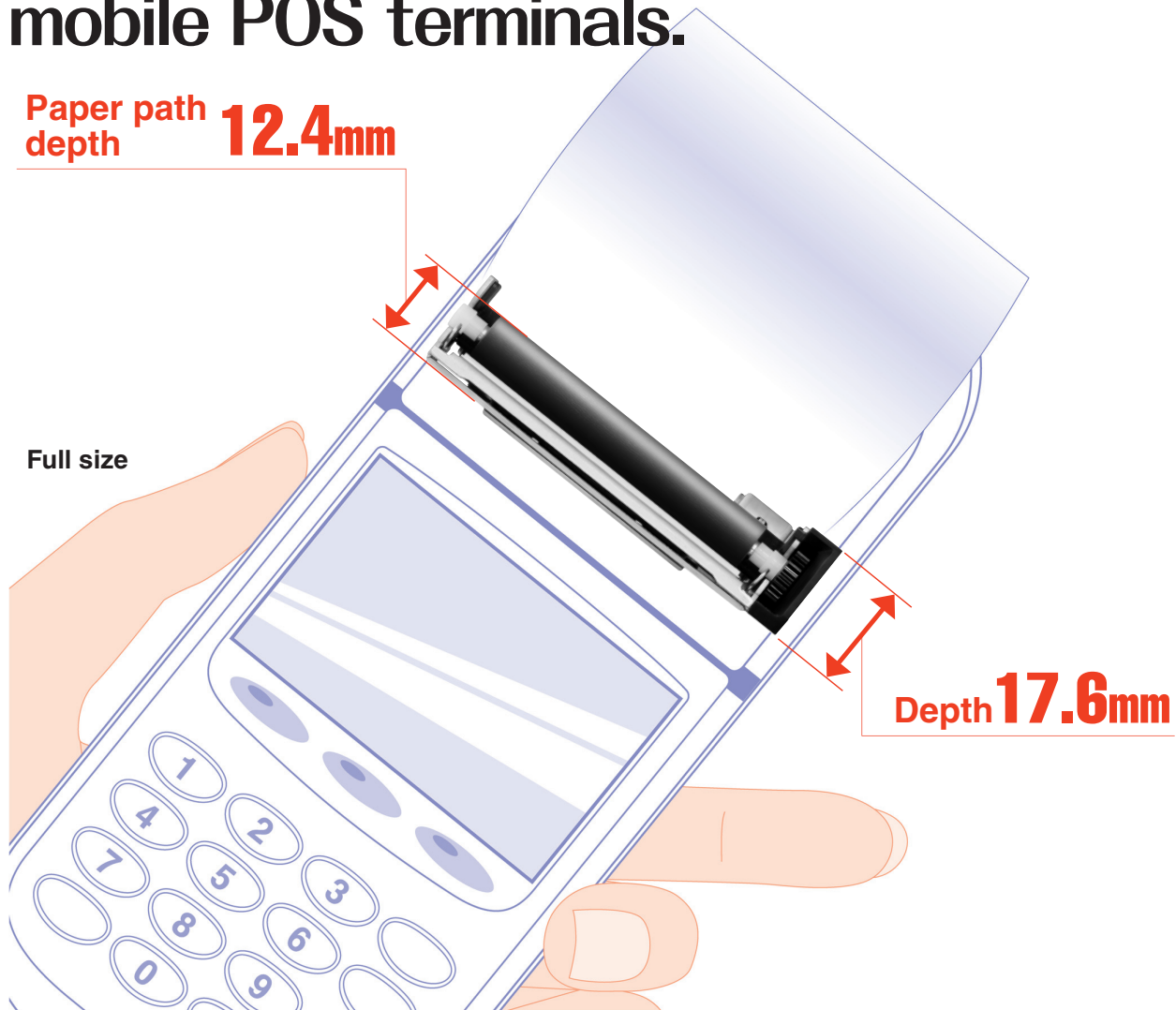
# Compact Thermal Printer (Vertical Type)

**ALPS**<sup>®</sup>

PTMBL1A00A

**New**  
2008

Industry-thinnest at 17.6mm performs to realize higher functionality of mobile POS terminals.



**Compact mechanism pursuing smaller size and less weight, contributes to flexibility of set design.**

- Industry-thinnest at 17.6mm. Light weight of 36g.
- Vertical type, easy loading mechanism.
- Compatible with 58mm-wide thermal paper.
- Low power consumption.



Product information site <http://www3.alps.com/e/>

# Compact Thermal Printer (Vertical Type)

PTMBL1A00A



**Compact mechanism pursuing smaller size and less weight, contributes to flexibility of set design.**

## Applications

All kinds of hand-held terminals including mobile POS terminals and mobile information terminals, and cash registers, etc.

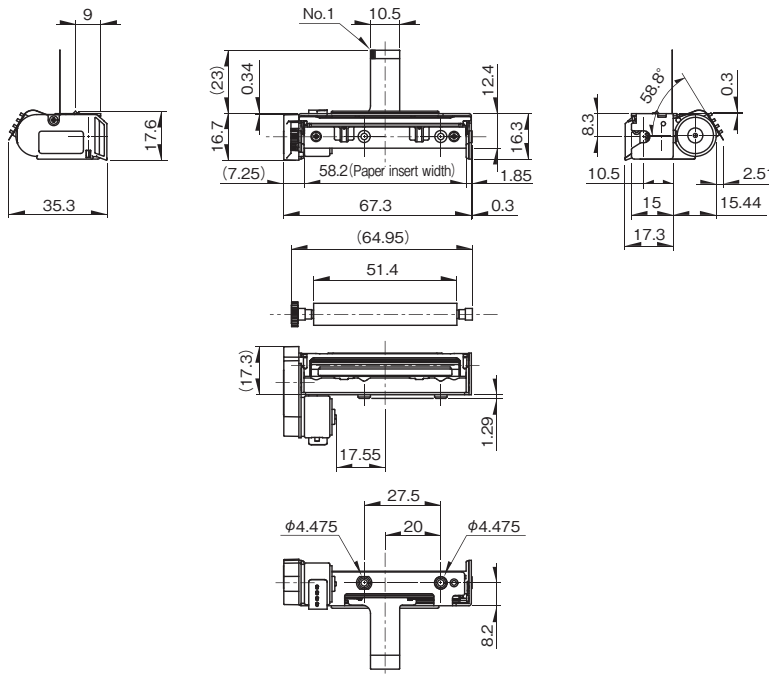
## Typical Specifications

| Items                   | Specifications |
|-------------------------|----------------|
| Paper setting           | Easy loading   |
| Printing method         | Line thermal   |
| Number of dots per line | 384dots        |
| Density of dots         | 8dots/mm       |
| Printing speed          | 75mm/s max.    |
| Paper width             | 58mm (+0, -1)  |
| Printing width          | 48mm           |

| Items                       | Specifications      |                   |
|-----------------------------|---------------------|-------------------|
| Operating power             | Head and motor      | 4.2V to 8.5V      |
|                             | Controller          | 2.7V to 5.5V      |
| Operating temperature range |                     | -5°C to +50°C     |
| Head life                   | Abrasion resistance | 50km              |
|                             | Pulse activation    | 100million pulses |
| Dimensions (WxDxH)          |                     | 67.6×17.6×35.3mm  |
| Weight                      |                     | Approx. 36g       |

## Dimensions

Unit:mm



| No. | Sig. name | note                        |
|-----|-----------|-----------------------------|
| 1   | LF-B*     | Motor B*                    |
| 2   | LF-B      | Motor B                     |
| 3   | LF-A*     | Motor A*                    |
| 4   | LF-A      | Motor A                     |
| 5   | VPP       | Power supply for Head drive |
| 6   | VPP       | Power supply for Head drive |
| 7   | LATCH*    | Data latch                  |
| 8   | GND       | GND                         |
| 9   | GND       | GND                         |
| 10  | STB*      | Strobe                      |
| 11  | VDD       | Power supply for Head logic |
| 12  | GND       | GND                         |
| 13  | GND       | GND                         |
| 14  | CLOCK     | Head clock                  |
| 15  | DATA_IN   | Data in                     |
| 16  | VPP       | Power supply for Head drive |
| 17  | VPP       | Power supply for Head drive |
| 18  | N.C       | No use.                     |
| 19  | N.C       | No use.                     |
| 20  | N.C       | No use.                     |

※The information in this catalog is based on our research as of August 2008.

## Cautions for Use

- The specifications herein are an overview of the specifications. Obtain official specifications before use.
- Unless specifically indicated otherwise, products herein have been designed and manufactured for use in ordinary electronic equipment, such as AV equipment, electric home appliances, office machines and communication equipment. In case of using the products for highly sensitive applications such as medical, aviation, aerospace and security, the set makers shall require to include measures necessary to meet product safety requirements of such specific applications. Such measure may include additional protection circuits and redundant circuits, for example.
- The external appearance, performances, and other properties of the product are subject to change for improvement without prior notice. The product introduced in this catalog may be discontinued without prior notice.
- All product names, company names and names of standards described in this catalog are trademarks or registered trademarks of their respective owners.
- Contact us for any enquiries and queries on our products and their uses.
- This catalog is valid till the end of December 2008.

## Inquiries about Products

Products Information Center +81 (3) 5499-8154  
Product information site <http://www3.alps.com/e/>

**ALPS**<sup>®</sup>  
**ALPS ELECTRIC CO., LTD.**  
1-7, Yukigaya-otsukamachi, Ota-ku, Tokyo, 145-8501, Japan