

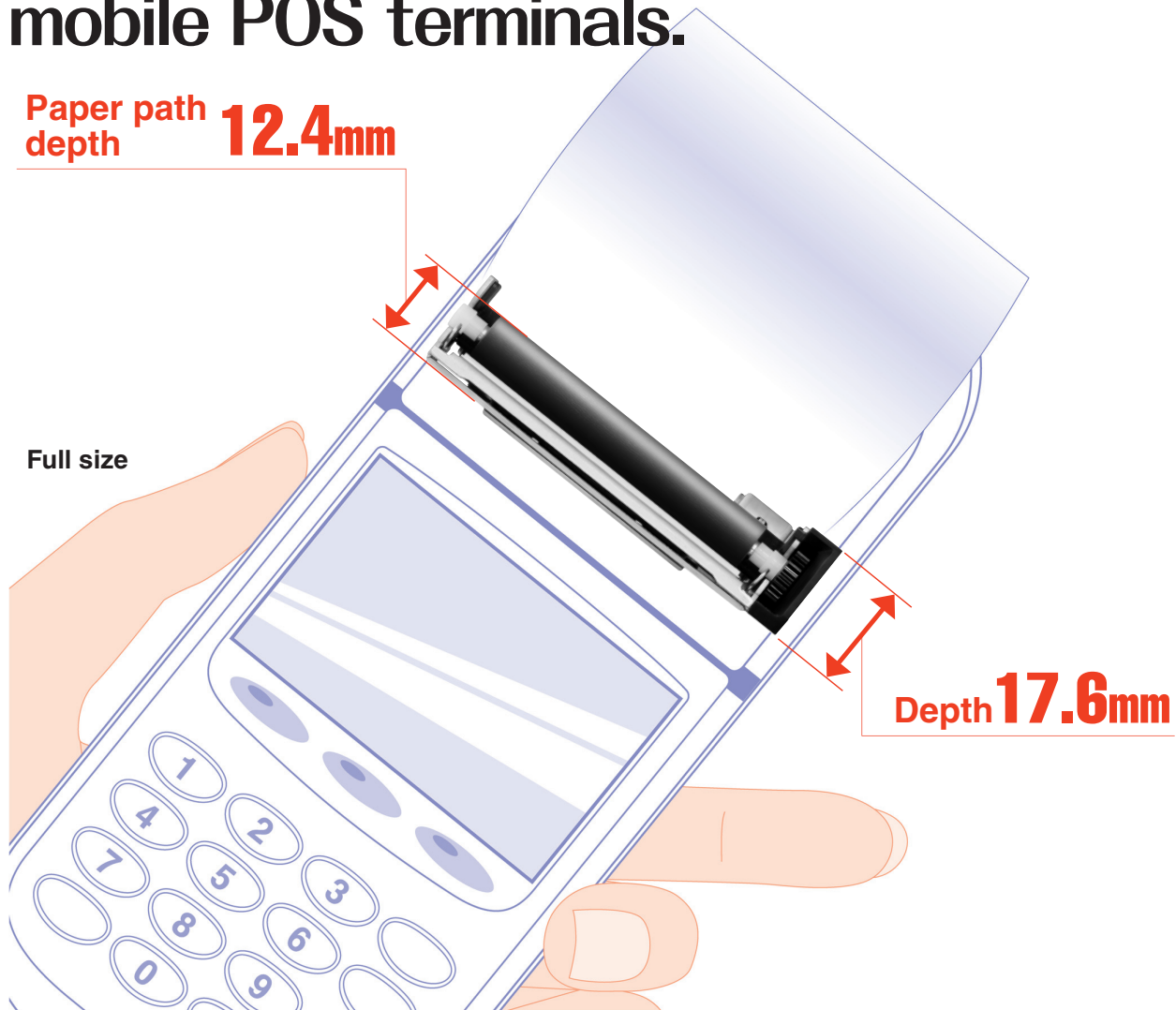
Compact Thermal Printer (Vertical Type)

ALPS[®]

PTMBL1A00A

New
2008

Industry-thinnest at 17.6mm performs to realize higher functionality of mobile POS terminals.



Compact mechanism pursuing smaller size and less weight, contributes to flexibility of set design.

- Industry-thinnest at 17.6mm. Light weight of 36g.
- Vertical type, easy loading mechanism.
- Compatible with 58mm-wide thermal paper.
- Low power consumption.



Product information site <http://www3.alps.com/e/>

Compact Thermal Printer (Vertical Type)

PTMBL1A00A



Compact mechanism pursuing smaller size and less weight, contributes to flexibility of set design.

Applications

All kinds of hand-held terminals including mobile POS terminals and mobile information terminals, and cash registers, etc.

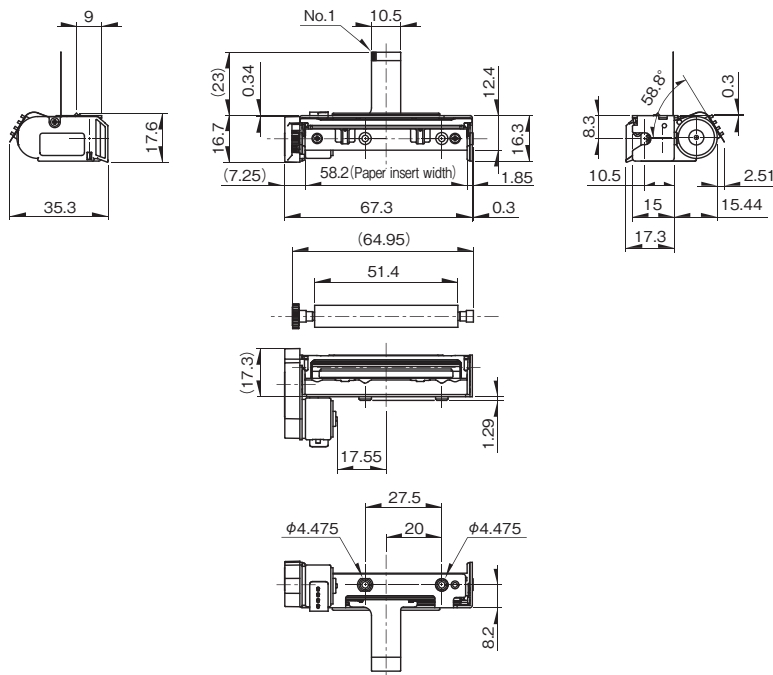
Typical Specifications

Items	Specifications
Paper setting	Easy loading
Printing method	Line thermal
Number of dots per line	384dots
Density of dots	8dots/mm
Printing speed	75mm/s max.
Paper width	58mm (+0, -1)
Printing width	48mm

Items	Specifications	
Operating power	Head and motor	4.2V to 8.5V
	Controller	2.7V to 5.5V
Operating temperature range	-5°C to +50°C	
Head life	Abrasion resistance	50km
	Pulse activation	100million pulses
Dimensions (WxDxH)	67.6×17.6×35.3mm	
Weight	Approx. 36g	

Dimensions

Unit:mm



No.	Sig. name	note
1	LF-B*	Motor B*
2	LF-B	Motor B
3	LF-A*	Motor A*
4	LF-A	Motor A
5	VPP	Power supply for Head drive
6	VPP	Power supply for Head drive
7	LATCH*	Data latch
8	GND	GND
9	GND	GND
10	STB*	Strobe
11	VDD	Power supply for Head logic
12	GND	GND
13	GND	GND
14	CLOCK	Head clock
15	DATA_IN	Data in
16	VPP	Power supply for Head drive
17	VPP	Power supply for Head drive
18	N.C	No use.
19	N.C	No use.
20	N.C	No use.

※The information in this catalog is based on our research as of August 2008.

Cautions for Use

- The specifications herein are an overview of the specifications. Obtain official specifications before use.
- Unless specifically indicated otherwise, products herein have been designed and manufactured for use in ordinary electronic equipment, such as AV equipment, electric home appliances, office machines and communication equipment. In case of using the products for highly sensitive applications such as medical, aviation, aerospace and security, the set makers shall require to include measures necessary to meet product safety requirements of such specific applications. Such measure may include additional protection circuits and redundant circuits, for example.
- The external appearance, performances, and other properties of the product are subject to change for improvement without prior notice. The product introduced in this catalog may be discontinued without prior notice.
- All product names, company names and names of standards described in this catalog are trademarks or registered trademarks of their respective owners.
- Contact us for any enquiries and queries on our products and their uses.
- This catalog is valid till the end of December 2008.

Inquiries about Products

Products Information Center +81 (3) 5499-8154
Product information site <http://www3.alps.com/e/>

ALPS[®]
ALPS ELECTRIC CO., LTD.
1-7, Yukigaya-otsukamachi, Ota-ku, Tokyo, 145-8501, Japan