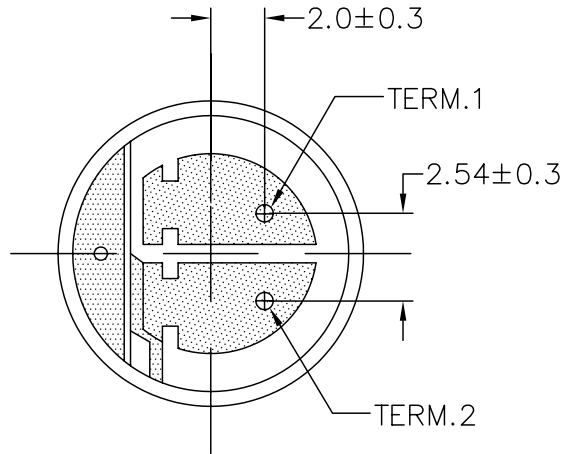
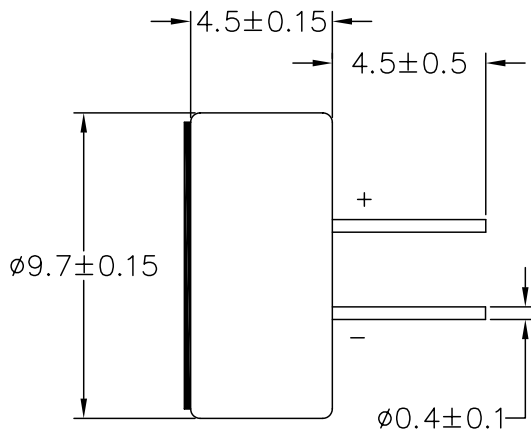


THIS DOCUMENT CONTAINS DATA PROPRIETARY TO PROJECTS UNLIMITED, INC. ANY USE OR REPRODUCTION, IN ANY FORM, WITHOUT PRIOR WRITTEN PERMISSION OF PROJECTS UNLIMITED, INC. IS PROHIBITED.  
© 2003, Projects Unlimited Inc.

SPECIFICATIONS

PARAMETERS	VALUES	UNITS
DIRECTIVITY	OMNI	-
SENSITIVITY	-44±2	dB
STANDARD OPERATING VOLTAGE	3	Vdc
MAX OPERATING VOLTAGE	10	Vdc
CURRENT CONSUMPTION MAX	0.5	mA
IMPEDANCE	2.2	kOhm
SIGNAL TO NOISE RATIO	60	dB
TERMINAL	PIN	-
INTERNAL CAPACITOR	N/A	pF

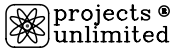
REVISIONS			
LTR	DESCRIPTION	DATE	APPROVED
-	RELEASED FROM ENGINEERING	9/18/03	
A	REVISED TO NEW TEMPLATE	12/16/03	R. W.
B	REVISED PIN OFFSET DIMENSION	6/14/05	E. P.
C	REVISED PIN DIAMETER	11/30/05	R. W.



NOTES:

1. ALL DIMENSIONS ARE IN MILLIMETERS.
2. SPECIFICATION SUBJECT TO CHANGE OR WITHDRAWAL WITHOUT NOTICE.

FILE NAME  
AOM-4544P.DWG

UNLESS OTHERWISE SPECIFIED: DIMENSIONS ARE IN MILLIMETERS, TOLERANCES ARE ±0.5 AND ANGLES ARE ±3°.		 Dayton, Ohio							
<table border="1"> <thead> <tr> <th>APPROVALS</th> <th>DATE</th> </tr> </thead> <tbody> <tr> <td>DRAWN R. A. O.</td> <td>9/03</td> </tr> <tr> <td>APPROVED R. W.</td> <td>9/03</td> </tr> </tbody> </table>		APPROVALS	DATE	DRAWN R. A. O.	9/03	APPROVED R. W.	9/03	MICROPHONE AOM-4544P	
APPROVALS	DATE								
DRAWN R. A. O.	9/03								
APPROVED R. W.	9/03								
<table border="1"> <tr> <td>SIZE A</td> <td>DRAWING NO. AOM-4544P</td> </tr> </table>		SIZE A	DRAWING NO. AOM-4544P						
SIZE A	DRAWING NO. AOM-4544P								
DO NOT SCALE DRAWING		SCALE: N.T.S.	SHEET 1 OF 1						