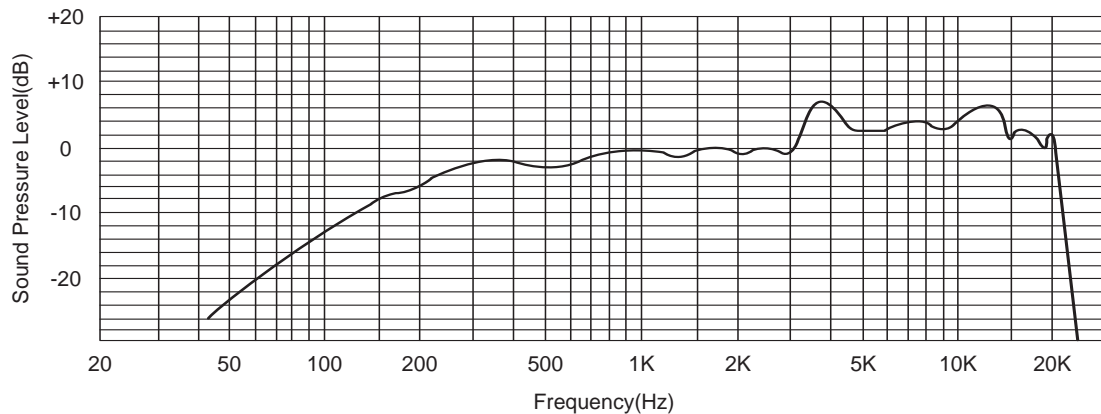
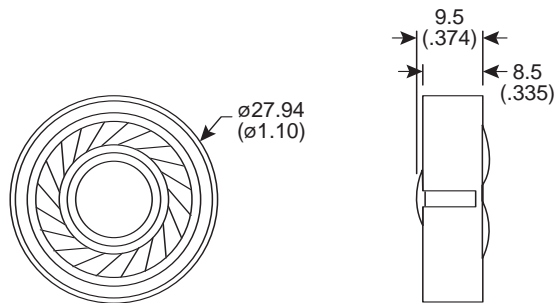


Part Number:

25LM035



Dynamic Microphone

KT-400234

Electrical Specifications:

- Input Power: 30mW typ., 100mW max.
- Voice Coil Impedance: $32\Omega \pm 15\%$ @ 1kHz
- Sensitivity: -80dB
- Sound Pressure Level: $93 \pm 3\text{dB}$ @ 100mW, 1kHz
- Frequency Range: 50Hz~20kHz
- Frequency Response: 150Hz~12kHz

Materials:

- Magnet Type: Ferrite
- Diaphragm: Polyester Film
- Weight: 16g