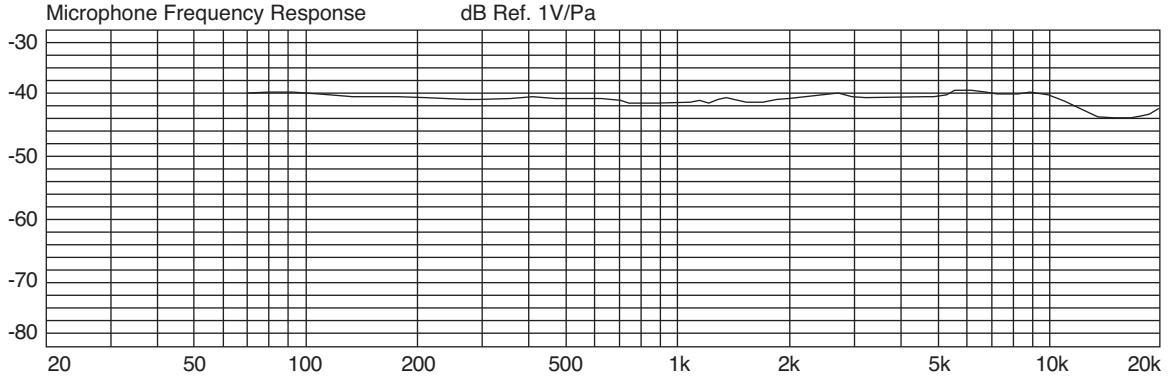
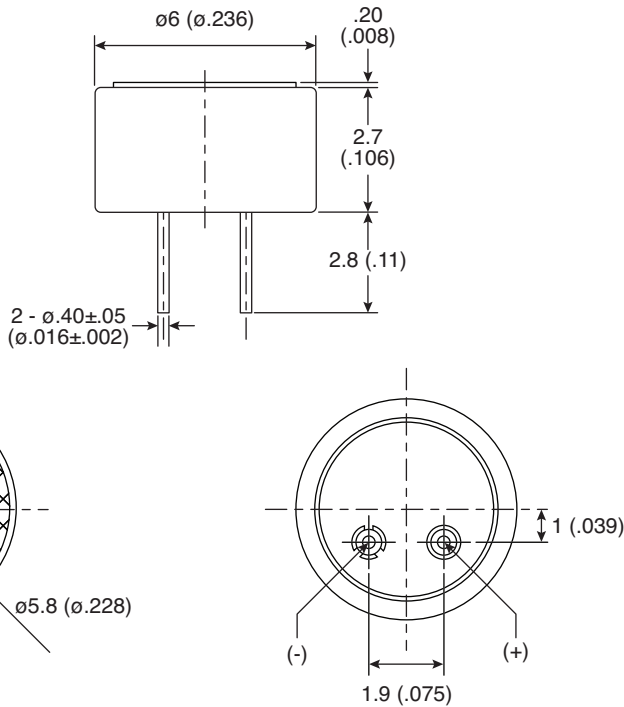


Part Number:

254-ECM6042-RO

Electret Condenser Microphone



KT-400488

Electrical Specifications:

- Sensitivity: -42 ± 3 dB
- Standard Operation Voltage: 2.0V
- Output Impedance: 2.2K Ω (max.)
- Frequency Range: 70-20K Hz
- Current Consumption: 0.5mA (max.)
- S/N Ratio: >58 dB

Mechanical Specifications:

- Operating temperature: $-20^{\circ}\text{C} \sim +60^{\circ}\text{C}$
- Storage temperature: $-30^{\circ}\text{C} \sim +70^{\circ}\text{C}$

Note:

- RoHS Compliant