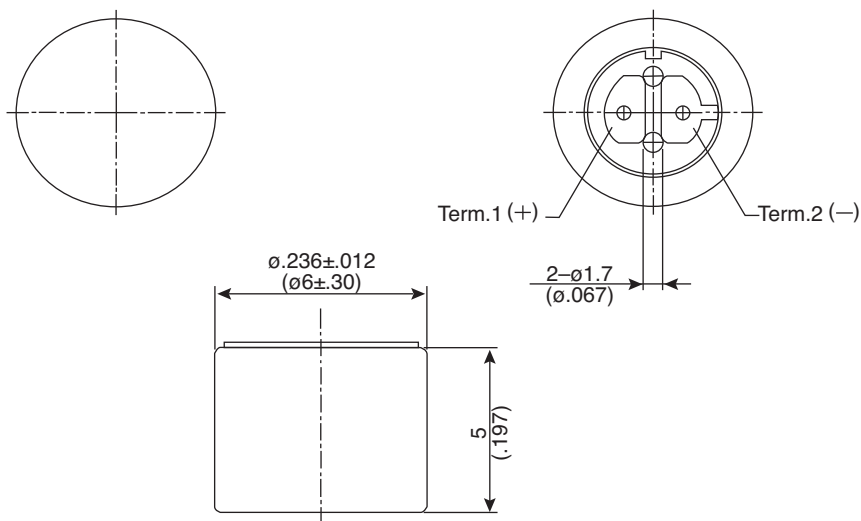


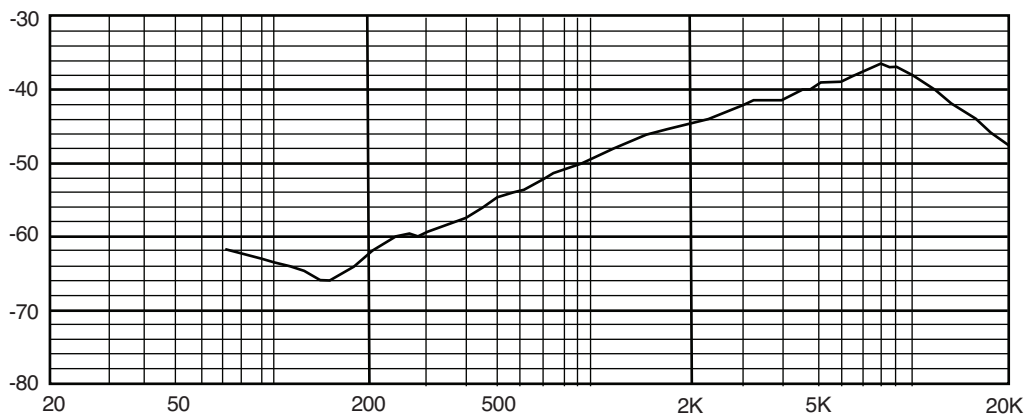
**Part Number:**

254-ECM651-RO

Electret Condenser Microphone



**Microphone Frequency Response**



**Electrical Specifications:**

- Sensitivity:  $-51 \pm 3$ dB
- Output Impedance:  $2.2K\Omega$  (Max)
- Frequency Range: 70 - 20K Hz
- Standard Operation Voltage: 2.0V
- Current Consumption: 0.5mA (Max)
- S/N Ratio:  $\geq 58$ dB
- Sound Pressure Level: 110dB

**Mechanical Specifications:**

KT-400490

- Operating Temperature:  $-25 \sim +70^\circ\text{C}$
- Storage Temperature:  $-40 \sim +70^\circ\text{C}$

**Note:**

- RoHS Compliant