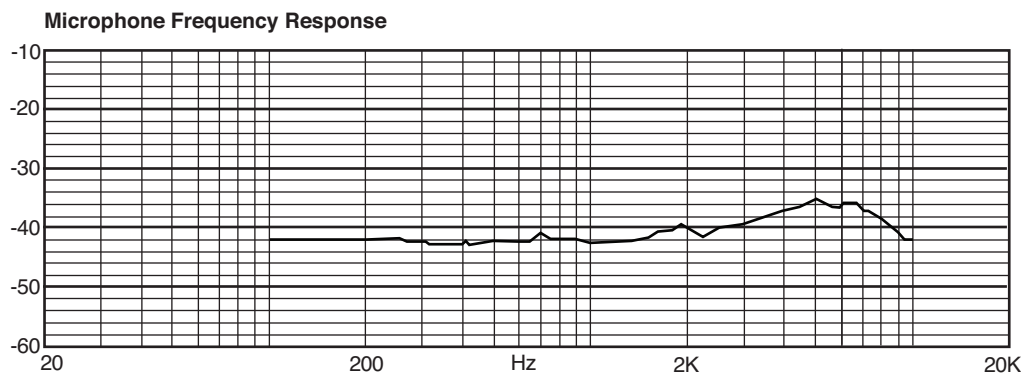
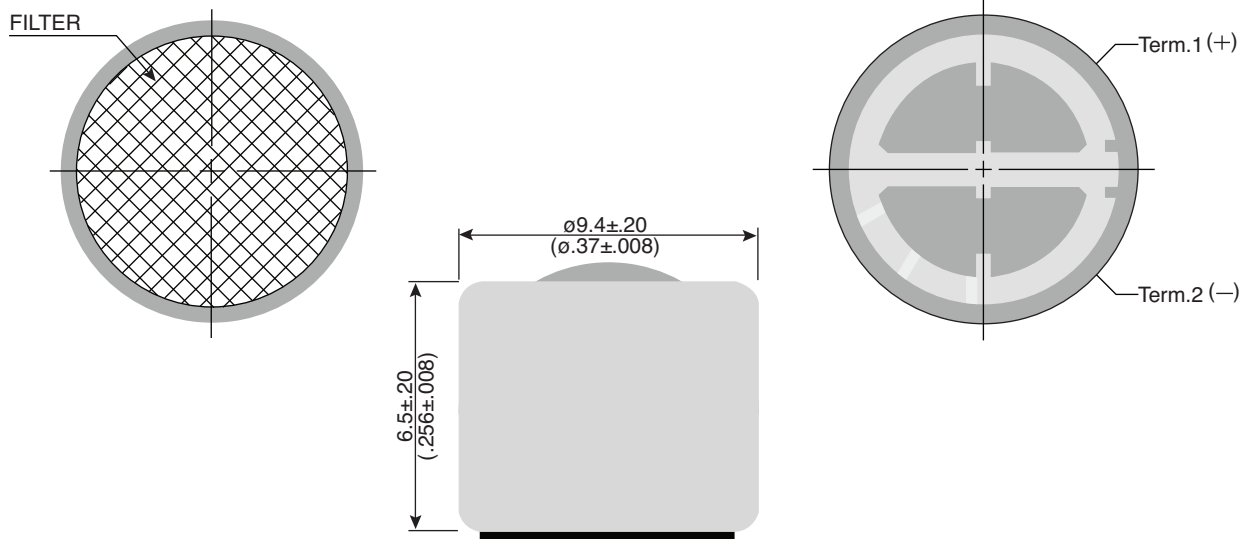


Part Number:

254-ECM9444-RO

Electret Condenser Microphone



Electrical Specifications:

- Sensitivity: -44 ± 2 dB
- Output Impedance: $1.0K\Omega$ (Max)
- Frequency Range: 70 - 20K Hz
- Standard Operation Voltage: 4.5V
- Current Consumption: 0.5mA (Max)
- S/N Ratio: ≥ 58 dB

Mechanical Specifications:

KT-400492

- Operating Temperature: $-20 \sim +60^\circ\text{C}$
- Storage Temperature: $-25 \sim +70^\circ\text{C}$

Note:

- RoHS Compliant