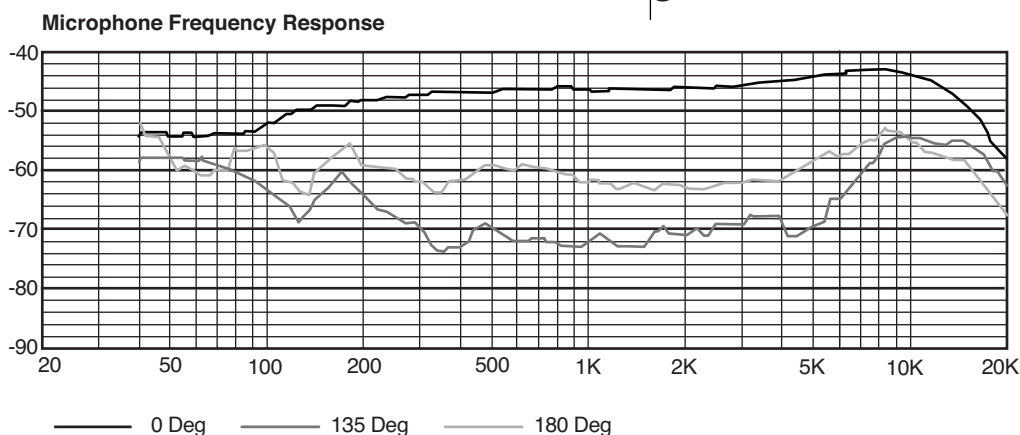
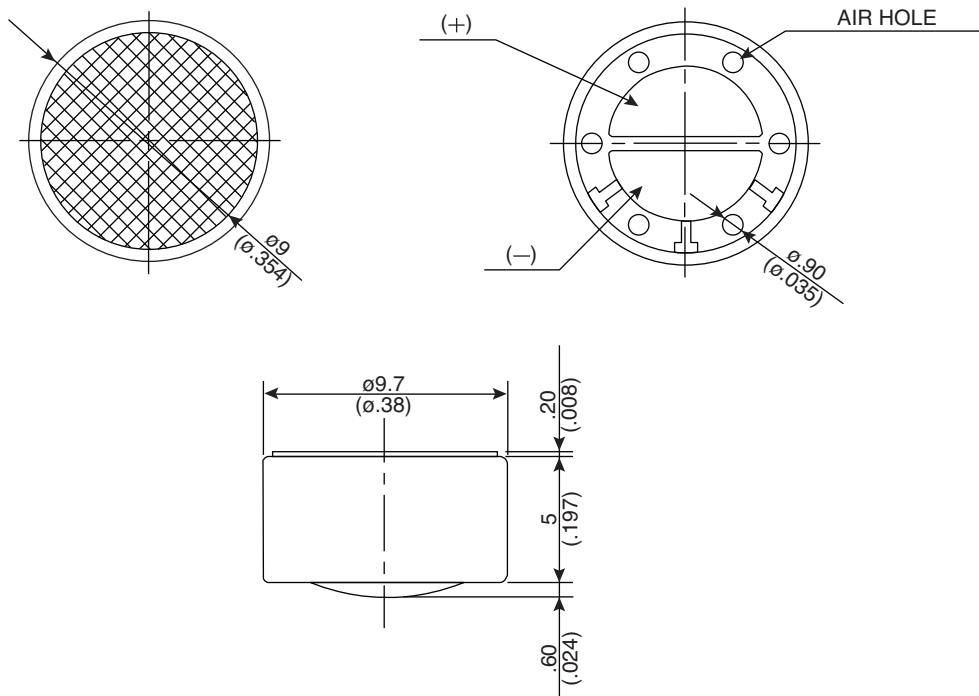


Part Number:

254-ECM951-RO

Electret Condenser Microphone



Electrical Specifications:

- Sensitivity: -51 ± 3 dB
- Output Impedance: 680Ω (Max)
- Frequency Range: 100 - 20K Hz
- Standard Operation Voltage: 1.5V
- Current Consumption: 0.5mA (Max)
- S/N Ratio: ≥ 55 dB

Mechanical Specifications:

- Operating Temperature: $-20 \sim +60^\circ\text{C}$
- Storage Temperature: $-25 \sim +70^\circ\text{C}$

KT-400494

Note:

- RoHS Compliant