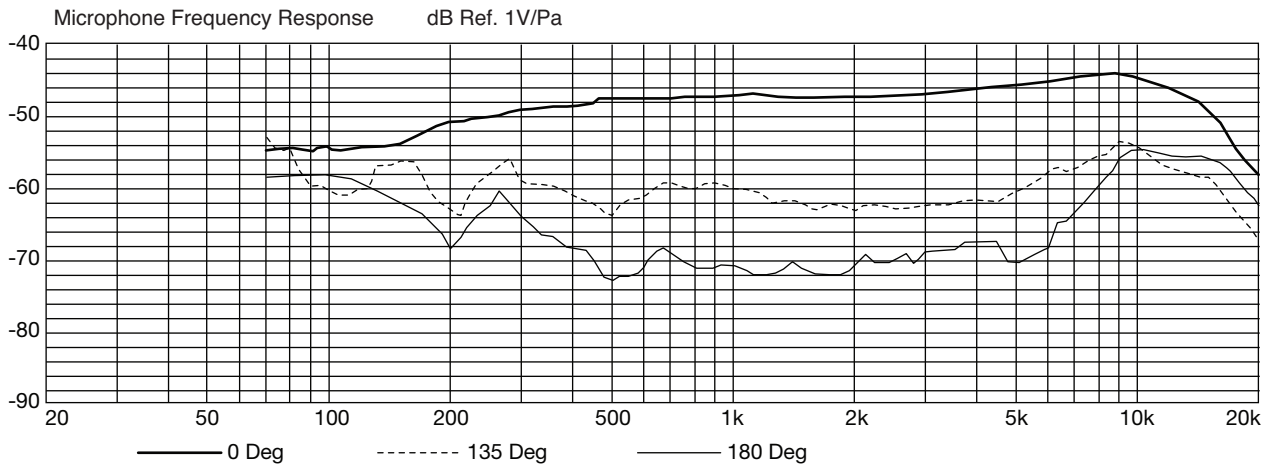
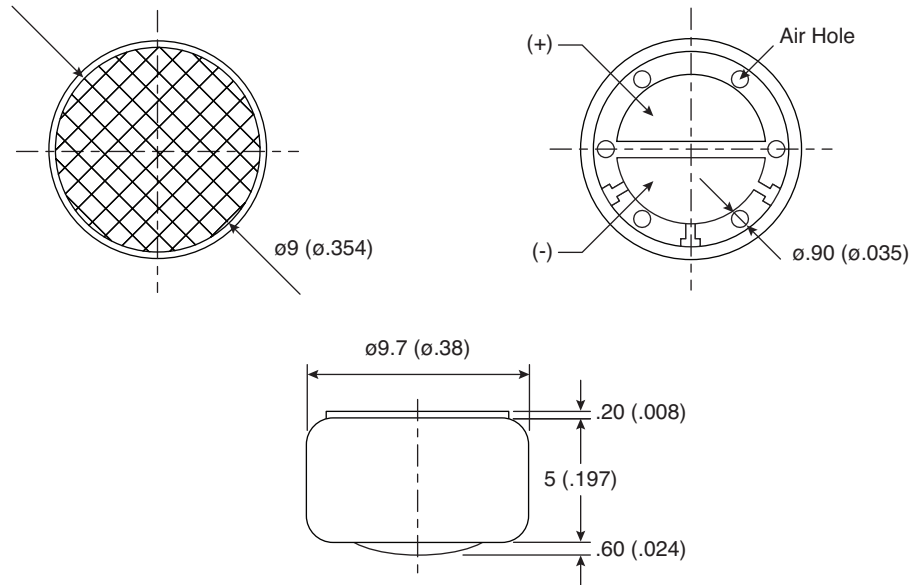


**Part Number:**

254-ECM947-RO

Electret Condenser Microphone



KT-400497

**Electrical Specifications:**

- Sensitivity:  $-47 \pm 3$ dB
- Standard Operation Voltage: 1.5V
- Output Impedance: 680 $\Omega$  (max.)
- Frequency Range: 70-20K Hz
- Current Consumption: 0.5mA (max.)
- S/N Ratio: >55dB

**Mechanical Specifications:**

- Operating temperature:  $-20^{\circ}\text{C} \sim +60^{\circ}\text{C}$
- Storage temperature:  $-30^{\circ}\text{C} \sim +70^{\circ}\text{C}$

**Note:**

- RoHS Compliant