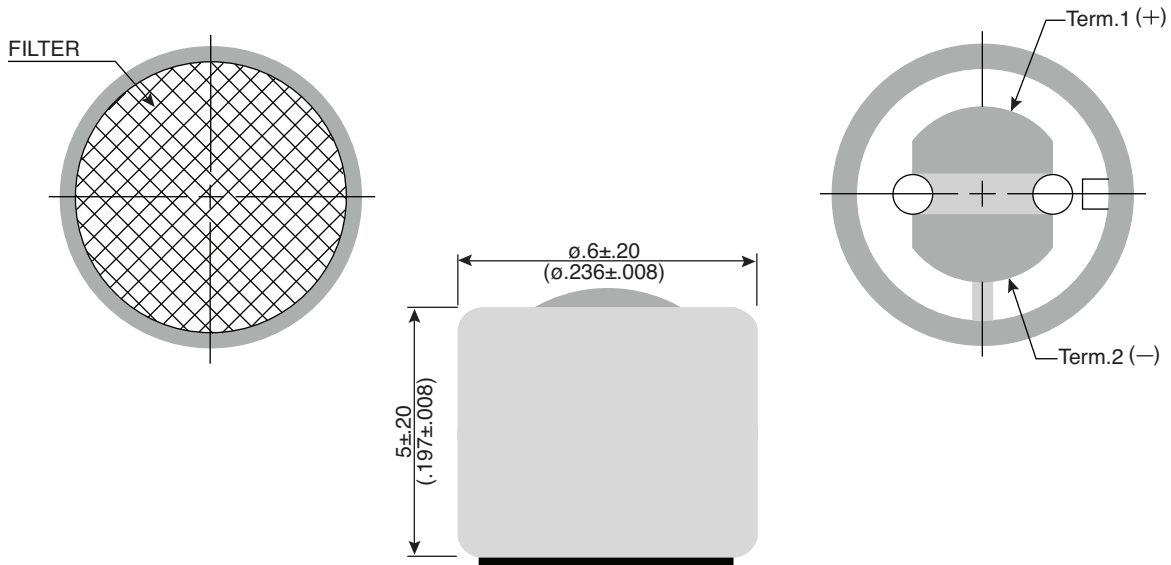


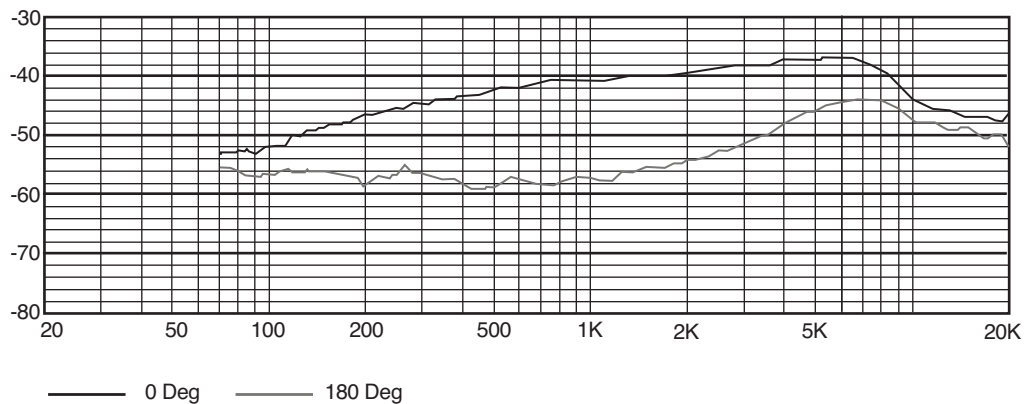
Part Number:

254-ECM6051-RO

Electret Condenser Microphone



Microphone Frequency Response



Electrical Specifications:

- Sensitivity: -51 ± 3 dB
- Output Impedance: $2.2K\Omega$ (Max)
- Frequency Range: 100 - 16K Hz
- Standard Operation Voltage: 2.0V
- Current Consumption: 0.5mA (Max)
- S/N Ratio: ≥ 55 dB
- Sound Pressure Level: 110 dB

Mechanical Specifications:

- Operating Temperature: $-20 \sim +60^\circ\text{C}$
- Storage Temperature: $-30 \sim +70^\circ\text{C}$

KT-400491

Note:

- RoHS Compliant