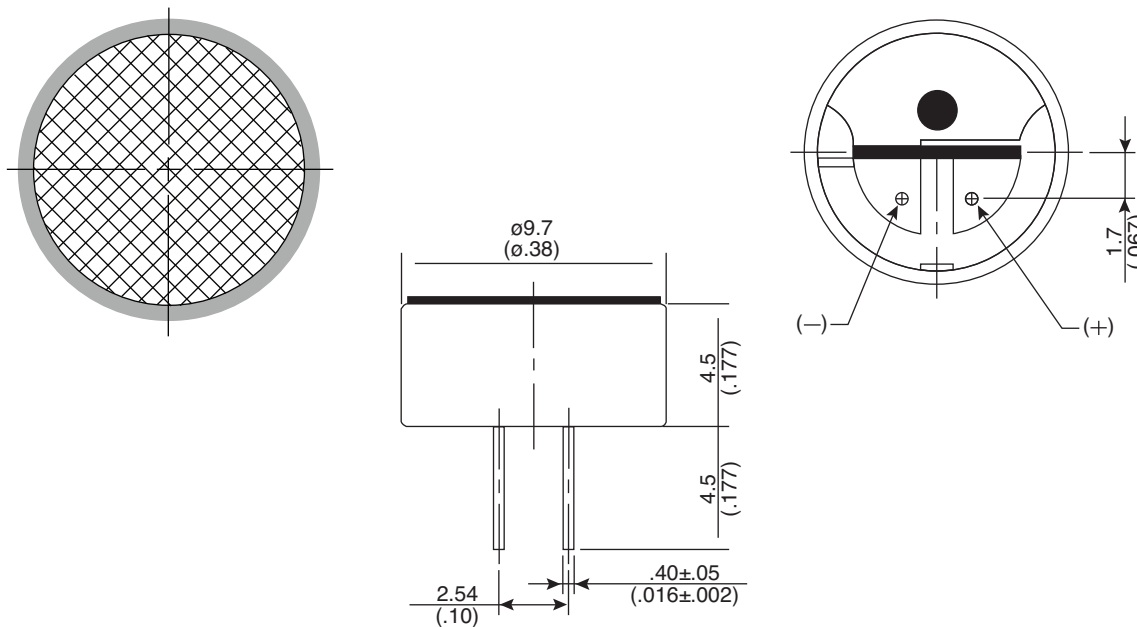


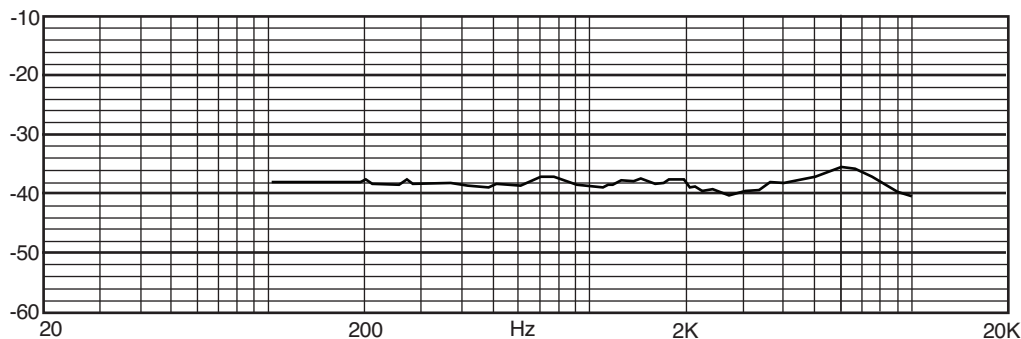
Part Number:

254-ECM9740-RO

Electret Condenser Microphone



Microphone Frequency Response, Magn dB re 1.000Pa/V



Electrical Specifications:

- Sensitivity: -40±3dB
- Output Impedance: 2.2KΩ (Max)
- Frequency Range: 70-20,000Hz
- Standard Operation Voltage: 4.5V
- Current Consumption: 0.5mA (Max)
- S/N Ratio: > 58dB

Mechanical Specifications:

- Operating Temperature: -25~+70°C
- Storage Temperature: -40~+70°C

KT-400493

Note:

- RoHS Compliant