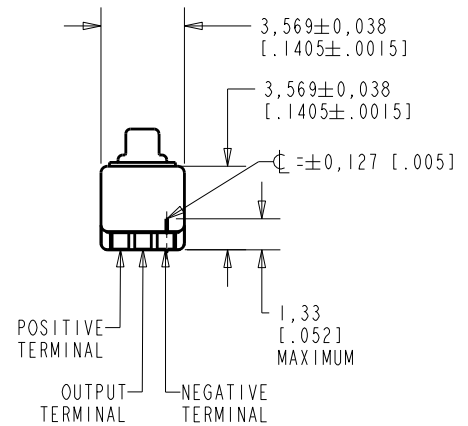
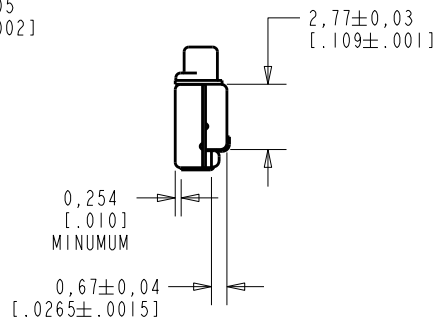
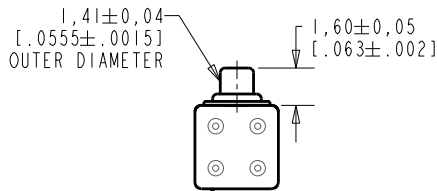
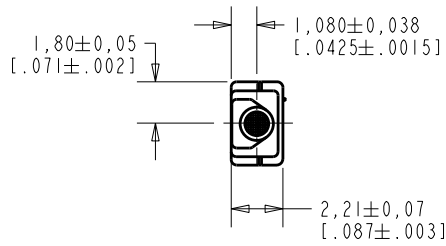


**EM-24046-C36**  
**SHT 1.1**

NOTE:

1. INCREASED PRESSURE AT SOUND INLET CAUSES A POSITIVE GOING VOLTAGE TO APPEAR AT THE OUTPUT TERMINAL, RELATIVE TO THE NEGATIVE TERMINAL.



NOMINAL WEIGHT  
 .08 GRAMS

DIMENSIONS IN MILLIMETERS [INCHES]

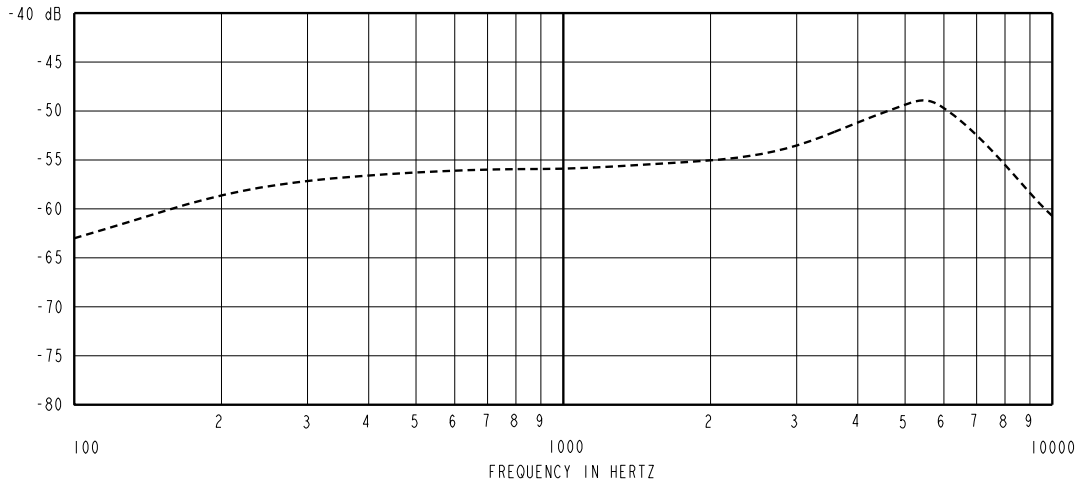
**KNOWLES ELECTRONICS**  
 ITASCA, ILLINOIS U.S.A.

Revision	C.O. #	Implementation Date	RELEASE LEVEL	REVISION
B	M10102034	6-18-08	Active	B
A	M10101111	5-1-06		
SCALE: 4:1			DR. BY DATE	
DO NOT SCALE DRAWING			MMM 5-1-06	
TITLE: MICROPHONE			CK. BY DATE	
OUTLINE DRAWING			GJP 5-4-06	
EM-24046-C36			APP. BY DATE	
SHT 1.1			GJP 5-4-06	

HE111ASIZE.FRM

Rev: B

SENSITIVITY IN dB RELATIVE TO 1.0 VOLT/0.1 Pa (N/M<sup>2</sup>)  
FOR CONDITIONS SHOWN BELOW.



FREQUENCY	SENSITIVITY			DEVICE CONFORMITY	
	MIN.	NOM.	MAX.	RANGE OF DEVIATION FROM 1KHz	
100	---	-63.0	---	-10.0	-3.0
1000	-59.0	-56.0	-53.0	0.0	0.0
5500	---	-49.0	---	+4.0	+10.0

NOTES:

- CASE CONNECTED TO NEGATIVE TERMINAL.
- MICROPHONE TO BE FUNCTIONAL WITH 10 VDC SUPPLY.
- TYPICAL SENSITIVITY TO HUMIDITY AT 1000Hz IS 0.03 dB/%RH
- SENSITIVITY AND NOISE VALUES INDICATED ON THIS SPECIFICATION ARE VALID AT 50% HUMIDITY.
- CAPACITANCE MEASUREMENT MADE WITH BOONTON MODEL 7200 OR EQUIVALENT WITH APPLIED AC VOLTAGE OF 15 mVOLTS AT 1MHz AND 0 VDC. INCLUDES CIRCUIT CAPACITANCE IN PARALLEL WITH CAPACITOR.

DC SUPPLY	AMPLIFIER CURRENT DRAIN	SENSITIVITY CHANGE ON REDUCING SUPPLY TO 0.9VDC	"A" WEIGHTED NOISE (1 kHz EQUIV. SPL)	OUTPUT IMPEDANCE OHMS			CAPACITANCE ±50%	
				MIN.	NOM.	MAX.	1-2	1-3
1.3v	50 µA MAX.	3 dB MAX.	31.0 dB MAX.	2800	4400	6800	75pF	75pF

Revision	C.O. #	Implementation Date	RELEASE LEVEL	REVISION
B	M10102034	6-18-08	Active	B
A	M10101111	5-1-06		

**KNOWLES ELECTRONICS**  
ITASCA, ILLINOIS U.S.A.

WHEN TEST LIMITS ARE USED TO ESTABLISH INCOMING INSPECTION ACCEPTANCE/REJECTION CRITERIA, CORRELATION OF TEST EQUIPMENT WITH KNOWLES IS ALSO REQUIRED FOR ELIMINATION OF EQUIPMENT AND TEST METHOD VARIATION		DR. BY	DATE
TITLE: <b>MICROPHONE</b>		MM	5-1-06
		CK. BY	DATE
PERFORMANCE SPECIFICATION		GJP	5-4-06
		APP. BY	DATE
		GJP	5-4-06

EM-24046-C36

SHT 2.1