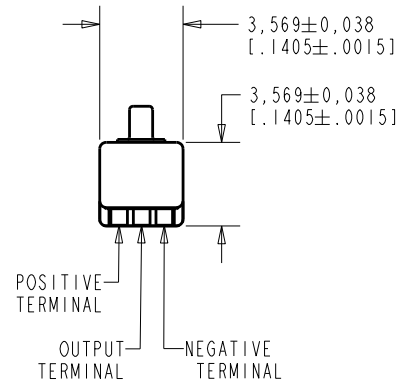
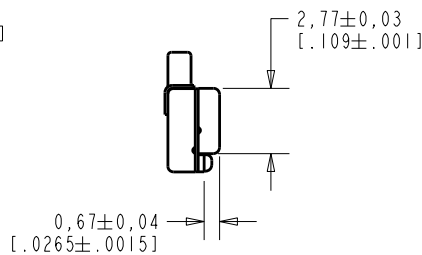
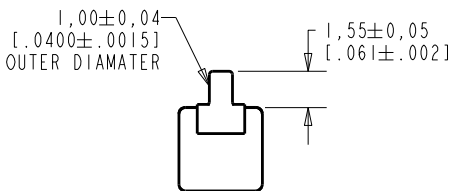
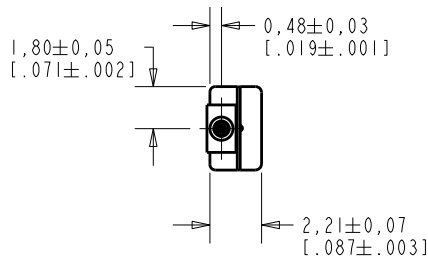


EM-27012-080
SHT 1.1

NOTE:

1. INCREASED PRESSURE AT SOUND INLET CAUSES A POSITIVE GOING VOLTAGE TO APPEAR AT THE OUTPUT TERMINAL, RELATIVE TO THE NEGATIVE TERMINAL.



NOMINAL WEIGHT
.08 GRAMS

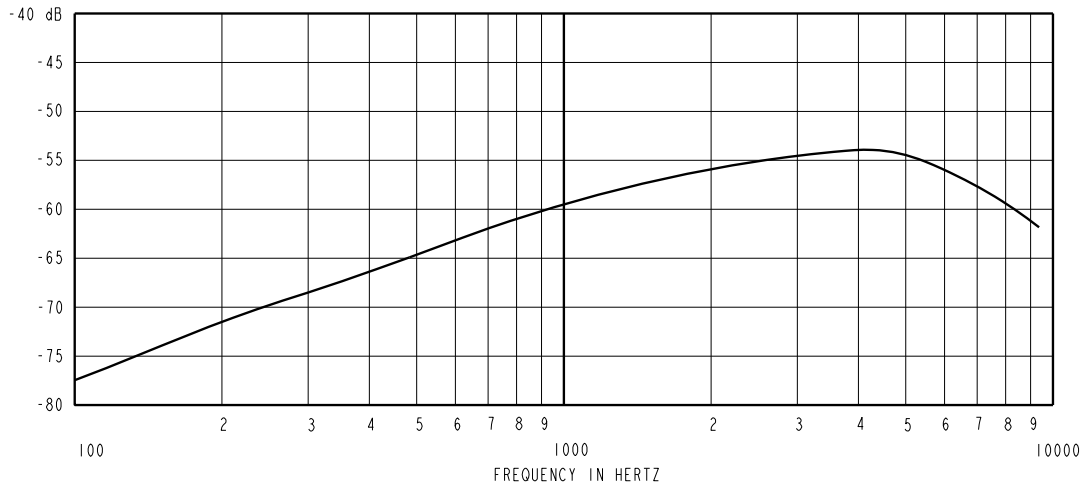
DIMENSIONS IN MILLIMETERS [INCHES]

Revision	C.O. #	Implementation Date	RELEASE LEVEL	REVISION
B	MI0102070	12-30-08	Active	B
A	MI0101356	1-18-07		
SCALE: 4:1			DR. BY	DATE
DO NOT SCALE DRAWING			LSY	1-18-07
			CK. BY	DATE
TITLE: MICROPHONE		EM-27012-080	GJP	1-26-07
			APP. BY	DATE
OUTLINE DRAWING		SHT 1.1	GJP	1-26-07

HE111ASIZE.FRM Rev: B

KNOWLES ELECTRONICS
ITASCA, ILLINOIS U.S.A.

SENSITIVITY IN dB RELATIVE TO 1.0 VOLT/0.1 Pa (N/M²)
FOR CONDITIONS SHOWN BELOW.



FREQUENCY	SENSITIVITY			DEVICE CONFORMITY	
	MIN.	NOM.	MAX.	RANGE OF DEVIATION FROM 1KHz	
300	---	-68.5	---	-10.5	-7.5
1000	-63.5	-59.5	-55.0	0.0	0.0
≈ 4500	---	-54.0	---	+1.5	+9.5

NOTES:

1. CASE CONNECTED TO NEGATIVE TERMINAL.
2. MICROPHONE TO BE FUNCTIONAL WITH 10 VDC SUPPLY.
3. TYPICAL SENSITIVITY TO HUMIDITY AT 1000Hz IS 0.06 dB/%RH
4. SENSITIVITY AND NOISE VALUES INDICATED ON THIS SPECIFICATION ARE VALID AT 50% HUMIDITY.

PORT LOCATION	DC SUPPLY	AMPLIFIER CURRENT DRAIN	SENSITIVITY CHANGE ON REDUCING SUPPLY TO 0.9VDC	"A" WEIGHTED NOISE (RE 1 VOLT)	OUTPUT IMPEDANCE OHMS			CAPACITANCE ±50%	
					MIN.	NOM.	MAX.	1-2	1-3
12B	1.3V	50 µA MAX.	3 dB MAX.	-97.0 dB MAX.	2800	4400	6800	N/A	N/A

Revision	C.O. #	Implementation Date	RELEASE LEVEL	REVISION
B	M10102070	12-30-08	Active	B
A	M10101356	1-18-07		

KNOWLES ELECTRONICS
ITASCA, ILLINOIS U.S.A.

WHEN TEST LIMITS ARE USED TO ESTABLISH INCOMING INSPECTION ACCEPTANCE/REJECTION CRITERIA, CORRELATION OF TEST EQUIPMENT WITH KNOWLES IS ALSO REQUIRED FOR ELIMINATION OF EQUIPMENT AND TEST METHOD VARIATION

TITLE: **MICROPHONE** **EM-27012-080**
PERFORMANCE SPECIFICATION **SHT 2.1**

DR. BY	DATE
LSY	1-18-07
CK. BY	DATE
GJP	1-26-07
APP. BY	DATE
GJP	1-26-07