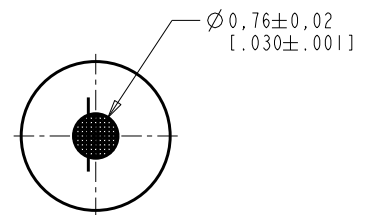
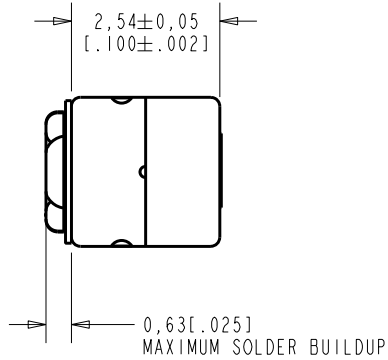
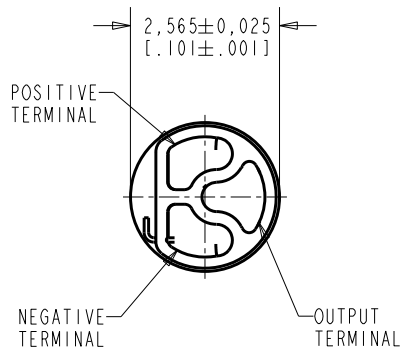


FG-23824-C36

SHT 1.1



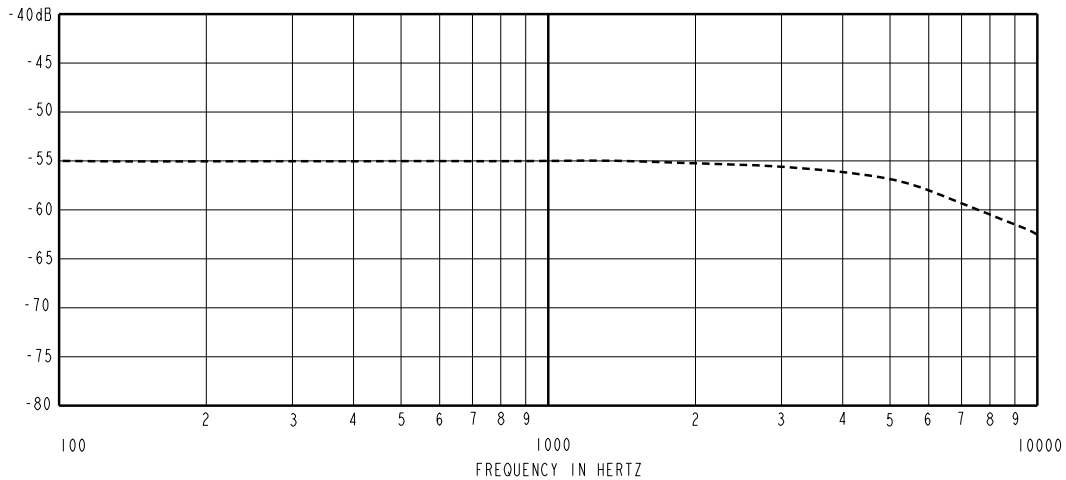
SCALE 5:1
DIMENSIONS IN MILLIMETERS [INCHES]

Revision	C.O. #	Implementation Date	RELEASE LEVEL	REVISION	
C	MI0103600	4-1-10	Active	C	
B	MI0102044	12-26-08			
A	MI0101278	10-16-06			
SCALE: 10:1			DR. BY	DATE	
DO NOT SCALE DRAWING			LSY	10-16-06	
			CK. BY	DATE	
TITLE: MICROPHONE		FG-23824-C36		GJP	10-26-06
				APP. BY	DATE
OUTLINE DRAWING		SHT 1.1		GJP	10-26-06

RE111ASIZE.FRM Rev: B

KNOWLES ELECTRONICS
ITASCA, ILLINOIS U.S.A.

SENSITIVITY IN dB RELATIVE TO 1.0 VOLT/0.1 Pa (N/M²)
FOR CONDITIONS SHOWN BELOW.

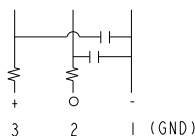


FREQUENCY	SENSITIVITY			DEVICE CONFORMITY	
	MIN.	NOM.	MAX.	RANGE OF DEVIATION FROM 1kHz	
100	---	-55.0	---	-3.0	+3.0
1000	-58.0	-55.0	-52.0	0.0	0.0
6000	---	-58.0	---	-5.0	-1.0

- NOTES: 1. CASE CONNECTED TO NEGATIVE TERMINAL.
2. MICROPHONE TO BE FUNCTIONAL WITH 1.6 VDC SUPPLY.
3. TYPICAL SENSITIVITY TO HUMIDITY AT 1000Hz IS 0.06 dB/%RH
4. SENSITIVITY AND NOISE VALUES INDICATED ON THIS SPECIFICATION ARE VALID AT 50% HUMIDITY.

DC SUPPLY	AMPLIFIER CURRENT DRAIN	SENSITIVITY CHANGE ON REDUCING SUPPLY TO 0.9VDC	"A" WEIGHTED NOISE (1 kHz EQUIV. SPL)	OUTPUT IMPEDANCE OHMS			CAPACITANCE ±50%	
				MIN.	NOM.	MAX.	1-2	1-3
1.3V	50µA MAX.	3 dB MAX.	28.0 dB MAX.	10000	12000	14000	75pF	75pF

CAPACITANCE PROBE POINTS



Revision	C.O. #	Implementation Date	RELEASE LEVEL	REVISION
C	MI0103600	4-1-10	Active	C
B	MI0102044	12-26-08		
A	MI0101278	10-16-06		

KNOWLES ELECTRONICS
ITASCA, ILLINOIS U.S.A.

WHEN TEST LIMITS ARE USED TO ESTABLISH INCOMING INSPECTION ACCEPTANCE/REJECTION CRITERIA, CORRELATION OF TEST EQUIPMENT WITH KNOWLES IS ALSO REQUIRED FOR ELIMINATION OF EQUIPMENT AND TEST METHOD VARIATION		DR. BY	DATE
TITLE: MICROPHONE		LSY	10-16-06
PERFORMANCE SPECIFICATION		GJP	10-26-06
FG-23824-C36		APP. BY	DATE
SHT 2.1		GJP	10-26-06