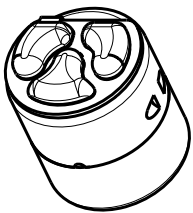
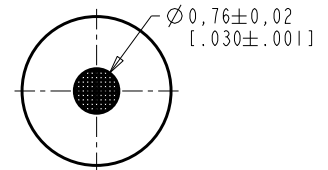
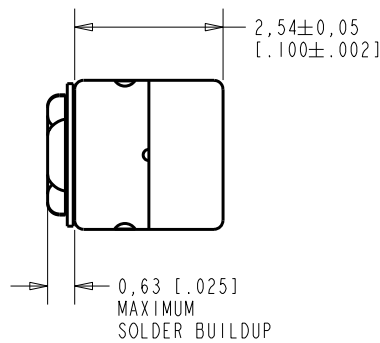
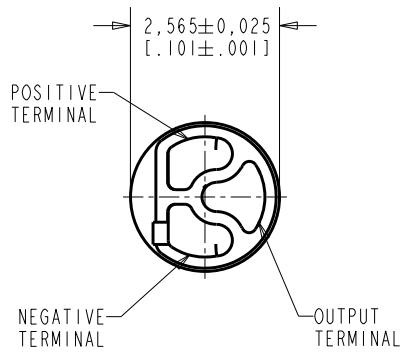


FG-30077-S12

SHT 1.1

NOTES:

1. INCREASED PRESSURE AT THE SOUND INLET CAUSES A POSITIVE GOING VOLTAGE TO APPEAR AT THE OUTPUT TERMINAL, RELATIVE TO THE NEGATIVE TERMINAL.



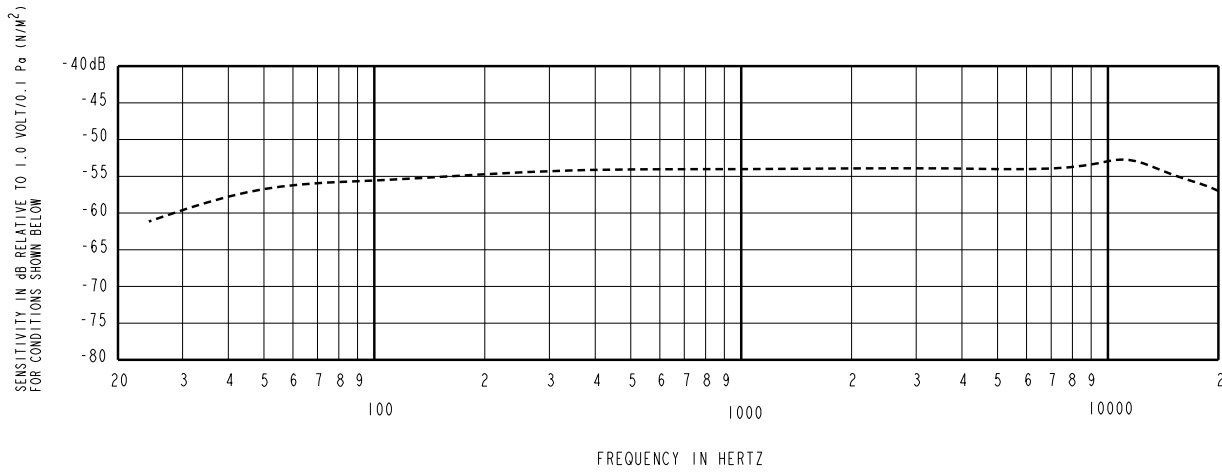
DIMENSIONS IN MILLIMETERS [INCHES]

KNOWLES ELECTRONICS
ITASCA, ILLINOIS U.S.A.

Revision	C.O. #	Implementation Date	RELEASE LEVEL	REVISION
			Active	D
D	M10103600	4-20-10		
SCALE: 10:1			DR. BY	DATE
DO NOT SCALE DRAWING			MMM	1-24-07
			CK. BY	DATE
TITLE: MICROPHONE		FG-30077-S12	GJP	1-24-07
			APP. BY	DATE
OUTLINE DRAWING		SHT 1.1	GJP	1-24-07

RE111AS12E.FRM

Rev: B

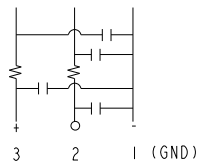


FREQUENCY	SENSITIVITY			DEVICE CONFORMITY	
	MIN.	NOM.	MAX.	RANGE OF DEVIATION FROM 1 kHz	
100	---	-55.0	---	-5.0	+1.0
1000	-56.0	-53.0	-50.0	0.0	0.0
10000	---	-52.0	---	-0.0	+6.0

- NOTES: 1. CASE CONNECTED TO NEGATIVE TERMINAL.
 2. MICROPHONE TO BE FUNCTIONAL WITH 1.6 VDC SUPPLY.
 3. TYPICAL SENSITIVITY TO HUMIDITY AT 1000Hz IS 0.06 dB/%RH
 4. SENSITIVITY AND NOISE VALUES INDICATED ON THIS SPECIFICATION ARE VALID AT 50% HUMIDITY.

PORT LOCATION	DC SUPPLY	AMPLIFIER CURRENT DRAIN	SENSITIVITY CHANGE ON REDUCING SUPPLY TO 0.9VDC	"A" WEIGHTED NOISE (1 kHz EQUIV. SPL)	OUTPUT IMPEDANCE OHMS			CAPACITANCE ±50%	
					MIN.	NOM.	MAX.	1-2	1-3
12S	1.3V	50 µA MAX.	3 dB MAX.	30.0 dB MAX.	2800	4400	6800	13pF	13pF

CAPACITANCE PROBE POINTS



KNOWLES ELECTRONICS
ITASCA, ILLINOIS U.S.A.

Revision	C.O. #	Implementation Date	RELEASE LEVEL			REVISION
			Active			D
D	MI0103600	4-20-10				
WHEN TEST LIMITS ARE USED TO ESTABLISH INCOMING INSPECTION ACCEPTANCE/REJECTION CRITERIA, CORRELATION OF TEST EQUIPMENT WITH KNOWLES IS ALSO REQUIRED FOR ELIMINATION OF EQUIPMENT AND TEST METHOD VARIATION					DR. BY	DATE
TITLE: MICROPHONE PERFORMANCE SPECIFICATION					MM	1-24-07
					CK. BY	DATE
					GJP	1-24-07
					APP. BY	DATE
					GJP	1-24-07
					SHT 2.1	