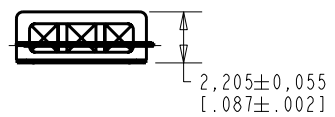
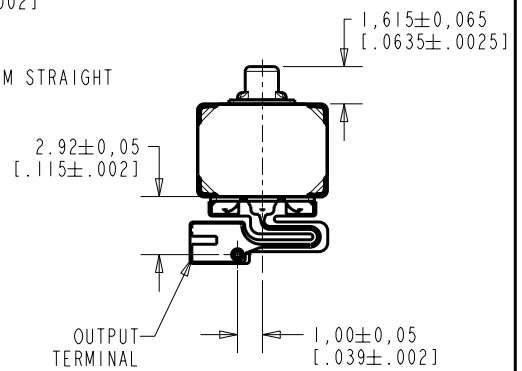
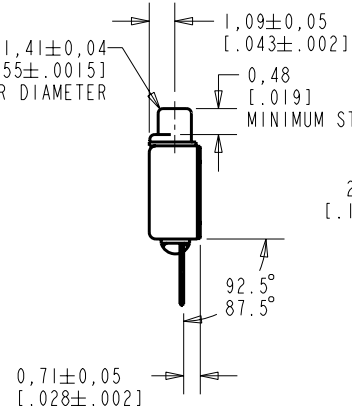
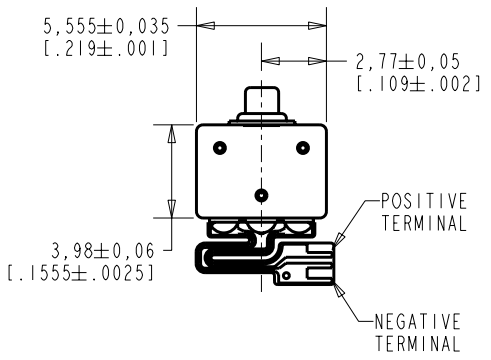


EK-27263-C25
SHT 1.1

NOTE

1. INCREASED PRESSURE AT THE SOUND INLET CAUSES A POSITIVE GOING VOLTAGE TO APPEAR AT THE OUTPUT TERMINAL, RELATIVE TO THE NEGATIVE TERMINAL.



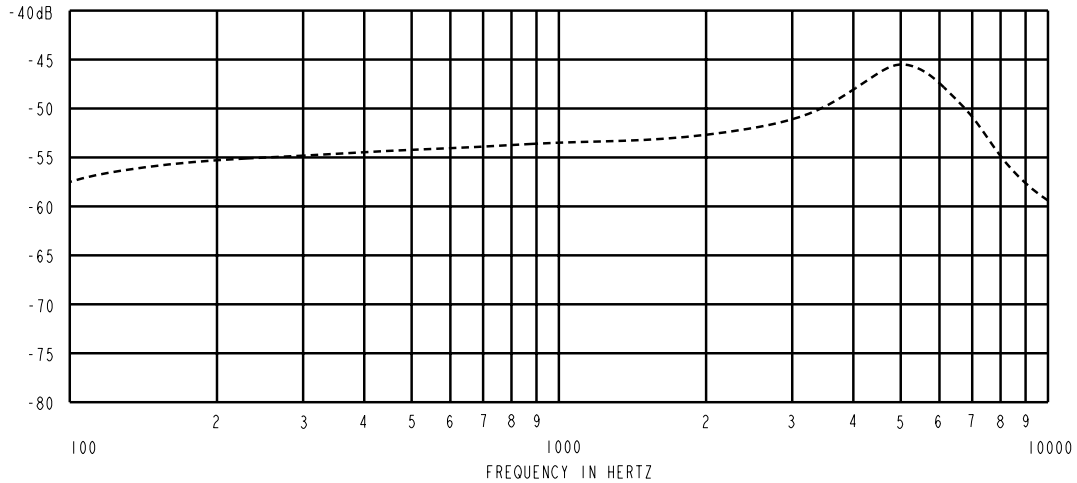
NOMINAL WEIGHT
.13 GRAM
DIMENSIONS IN MILLIMETERS [INCHES]

| Revision | C.O. # | Implementation Date | RELEASE LEVEL | REVISION |
|----------|-----------|---------------------|-----------------|----------|
| C | M10101468 | 5-15-07 | Released | C |
| B | M10101300 | 11-27-06 | | |
| A | M10101059 | 3-22-06 | | |

KNOWLES ELECTRONICS
ITASCA, ILLINOIS U.S.A.

| | | | | |
|----------------------|-------------------|---------------------|---------|---------|
| SCALE: | 4:1 | | DR. BY | DATE |
| DO NOT SCALE DRAWING | | | MMM | 3-22-06 |
| TITLE: | MICROPHONE | EK-27263-C25 | CRG | 3-31-06 |
| OUTLINE DRAWING | | SHT 1.1 | APP. BY | DATE |
| | | | AB | 3-31-06 |

SENSITIVITY IN dB RELATIVE TO 1.0 VOLT/0.1 Pa (N/M²)
FOR CONDITIONS SHOWN BELOW.



| FREQUENCY | SENSITIVITY | | | DEVICE CONFORMITY | |
|-----------|-------------|-------|-------|------------------------------|-------|
| | MIN. | NOM. | MAX. | RANGE OF DEVIATION FROM 1kHz | |
| 100 | --- | -57.5 | --- | -8.0 | -1.0 |
| 1000 | -55.0 | -53.0 | -51.0 | 0.0 | 0.0 |
| 4000-6000 | --- | -45.0 | --- | +5.0 | +11.0 |

NOTES:

- CASE CONNECTED TO NEGATIVE TERMINAL.
- MICROPHONE TO BE FUNCTIONAL WITH 10 VDC SUPPLY.
- CONFORMS TO REQUIREMENTS SHOWN ON 'ELECTRET MICROPHONE ENVIRONMENTAL QUALIFICATIONS TEST, EK-PA SHEET 2.2' WITH REF. FREQ. OF 1000 Hz.
- TYPICAL SENSITIVITY TO HUMIDITY AT 1000 Hz IS 0.02 dB/%RH.
- SENSITIVITY AND NOISE VALUES INDICATED ON THIS SPECIFICATION ARE VALID AT 50% HUMIDITY.

| PORT LOCATION | DC SUPPLY | AMPLIFIER CURRENT DRAIN | SENSITIVITY CHANGE ON REDUCING SUPPLY TO 0.9VDC | "A" WEIGHTED NOISE (1 kHz EQUIV. SPL) | OUTPUT IMPEDANCE OHMS | | |
|---------------|-----------|-------------------------|---|---------------------------------------|-----------------------|------|------|
| | | | | | MIN. | NOM. | MAX. |
| I2S | 1.3V | 50 µA MAX. | 3 dB MAX. | 26.0 dB MAX. | 2800 | 4400 | 6800 |

| Revision | C.O. # | Implementation Date | RELEASE LEVEL | REVISION |
|----------|-----------|---------------------|-----------------|----------|
| C | M10101468 | 5-15-07 | Released | C |
| B | M10101300 | 11-27-06 | | |
| A | M10101059 | 3-22-06 | | |

KNOWLES ELECTRONICS
ITASCA, ILLINOIS U.S.A.

WHEN TEST LIMITS ARE USED TO ESTABLISH INCOMING INSPECTION ACCEPTANCE/REJECTION CRITERIA, CORRELATION OF TEST EQUIPMENT WITH KNOWLES IS ALSO REQUIRED FOR ELIMINATION OF EQUIPMENT AND TEST METHOD VARIATION

| | | | |
|---------------------------|---------------------|-------------------|---------------------|
| TITLE: MICROPHONE | EK-27263-C25 | DR. BY MMM | DATE 3-22-06 |
| PERFORMANCE SPECIFICATION | SHT 2.1 | CK. BY CRG | DATE 3-31-06 |
| | | APP. BY AB | DATE 3-31-06 |