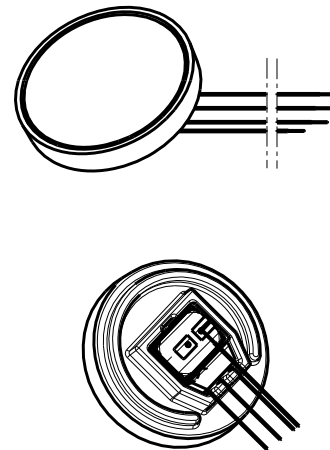
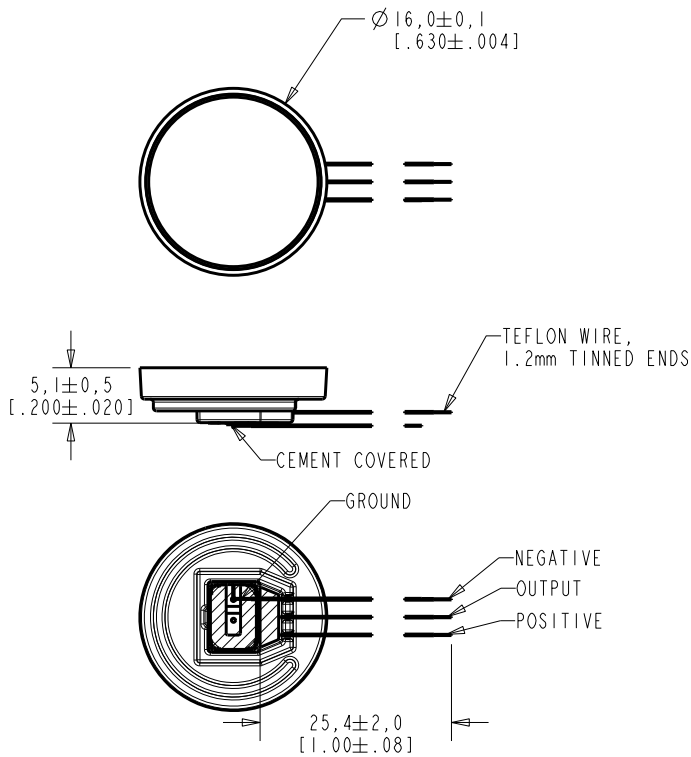


VEK-F-30470-000
SHT 1.1



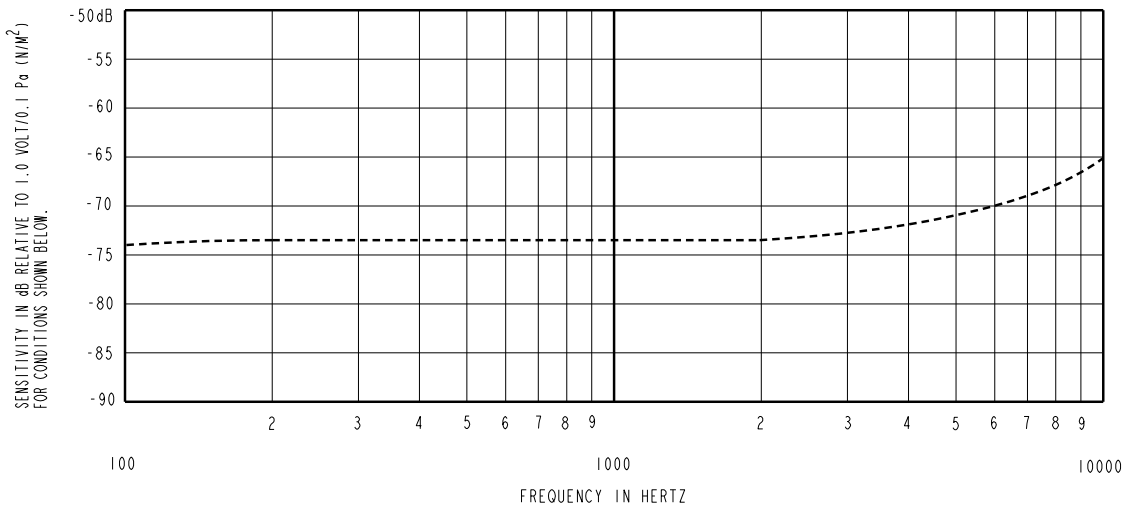
WIRE COLOUR				WEIGHT GRAMS
POSITIVE	OUTPUT	NEGATIVE	GROUND	
RED	YELLOW	BLUE	GREEN	---

DIMENSIONS IN MILLIMETERS [INCHES]

KNOWLES ELECTRONICS
ITASCA, ILLINOIS U.S.A.

Revision	C.O. #	Implementation Date	RELEASE LEVEL	REVISION
C	C40100469	10-14-10	Active	C
B	C10107779	8-27-08		
A	C10107758	8-11-08		
SCALE: 2:1		DO NOT SCALE DRAWING		DR. BY: TT DATE: 8-27-08
TITLE: WATERPROOF MICROPHONE & CABLE		VEK-F-30470-000		CK. BY: GJP DATE: 9-11-08
OUTLINE DRAWING		SHT 1.1		APP. BY: GJP DATE: 9-11-08

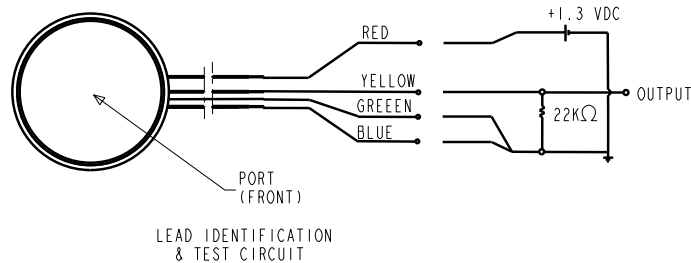
HE111AS1ZE.FRM Rev: B



FREQUENCY	SENSITIVITY			DEVICE CONFORMITY	
	MIN.	NOM.	MAX.	RANGE OF DEVIATION FROM 1KHz	
100	---	-74.0	---	-4.0	+2.0
1000	-70.0	-73.0	-76.0	0.0	0.0
10000	---	-65.0	---	+3.0	+13.0

NOTES:

- MICROPHONE TO BE FUNCTION WITH 10 VDC SUPPLY.
- SENSITIVITY VALUES INDICATED ON THIS SPECIFICATION ARE VALID AT 50% HUMIDITY.
- TEST CONDITIONS:
SEAL PRODUCT TO 74 dB SPL SWEPT
SOUND FIELD CREATED BY VOICE APERTURE.
ARTIFICIAL VOICE:
B & k 4227 MOUTH SIMULATOR.
- FOR MICROPHONE CAPSULE SPEC. SEE DRAWING EK-26899-P58 SHEET 2.1.
- SURVIVES SUBMERSION IN 1m OF WATER FOR 30 MINUTES;
SENSITIVITY WITHIN 3dB OF INITIAL SENSITIVITY AFTER DRIED
FOR 30 MINUTES AT ROOM TEMPERATURE.
- CONNECT SHIELD WIRE TO NEGATIVE WIRE FOR TEST.



Revision	C.O. #	Implementation Date	RELEASE LEVEL	REVISION
C	C40100469	10-14-10	Active	C
B	C10107779	8-27-08		
A	C10107758	8-11-08		

KNOWLES ELECTRONICS
ITASCA, ILLINOIS U.S.A.

WHEN TEST LIMITS ARE USED TO ESTABLISH INCOMING INSPECTION ACCEPTANCE/REJECTION CRITERIA, CORRELATION OF TEST EQUIPMENT WITH KNOWLES IS ALSO REQUIRED FOR ELIMINATION OF EQUIPMENT AND TEST METHOD VARIATION

TITLE: **WATERPROOF MICROPHONE & CABLE** **VEK-F-30470-000**
PERFORMANCE SPECIFICATION **SHT 2.1**

DR. BY	DATE
TT	8-27-08
CK. BY	DATE
GJP	9-11-08
APP. BY	DATE
GJP	9-11-08