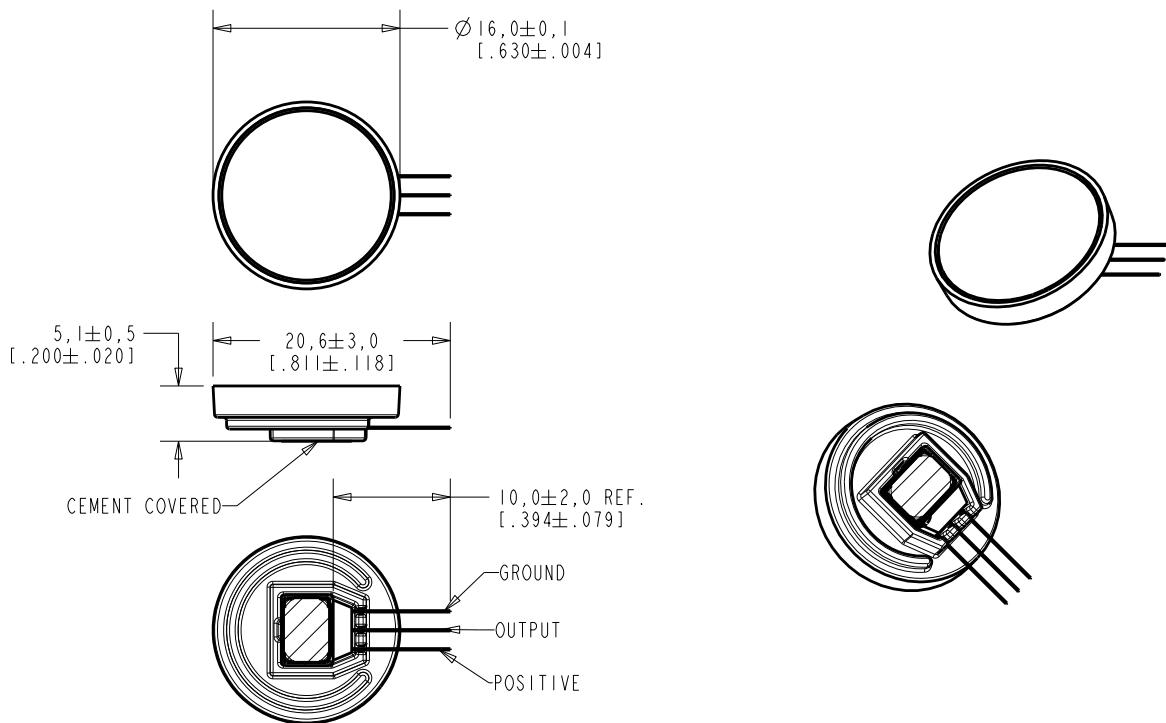


VEK-F-30460-000
SHT 1.1



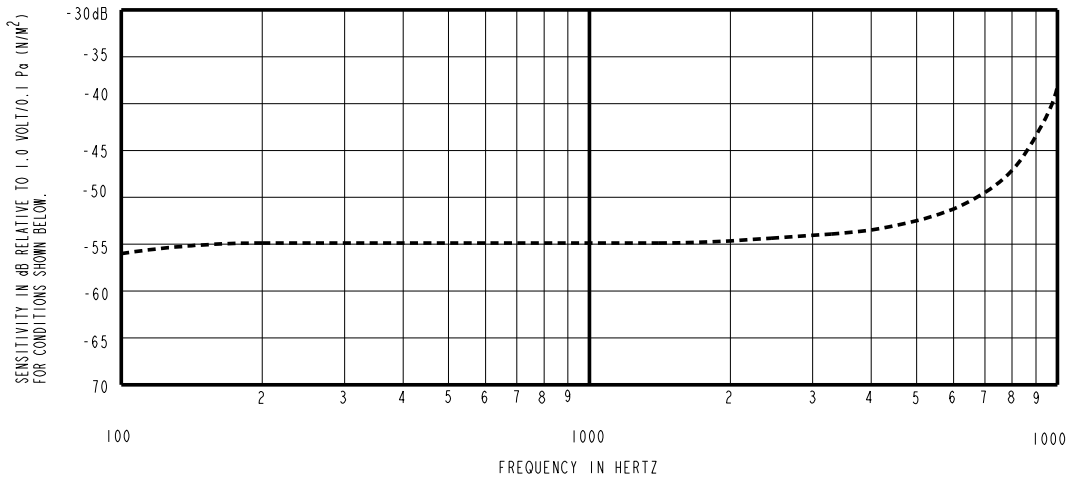
DIMENSIONS IN MILLIMETERS [INCHES]

KNOWLES ELECTRONICS
ITASCA, ILLINOIS U.S.A.

Revision	C.O. #	Implementation Date	RELEASE LEVEL	REVISION
			Active	D
D	C10107779	8-20-08		
SCALE: 2:1			DR. BY	DATE
DO NOT SCALE DRAWING			TT	4-8-08
WATERPROOF MICROPHONE & CABLE			CK. BY	DATE
			GJP	4-17-08
OUTLINE DRAWING			APP. BY	DATE
			GJP	4-17-08
VEK-F-30460-000				
SHT 1.1				

HE111ASIZE.FRM

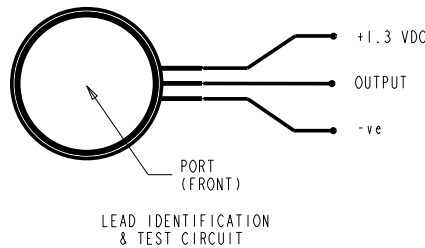
Rev: B



FREQUENCY	SENSITIVITY			DEVICE CONFORMITY	
	MIN.	NOM.	MAX.	RANGE OF DEVIATION FROM 1KHz	
100	---	-56.0	---	-4.0	+2.0
1000	-58.0	-55.0	-52.0	0.0	0.0
10000	---	-38.0	---	+12.0	+22.0

NOTES:

1. MICROPHONE TO BE FUNCTION WITH 10 VDC SUPPLY.
2. SENSITIVITY VALUES INDICATED ON THIS SPECIFICATION ARE VALID AT 50% HUMIDITY.
3. TEST CONDITIONS:
SEAL PRODUCT TO 74 dB SPL SWEPT
SOUND FIELD CREATED BY VOICE APERTURE.
ARTIFICIAL VOICE:
B & k 4227 MOUTH SIMULATOR.
4. FOR MICROPHONE CAPSULE SPEC. SEE DRAWING EK-23132-C36 SHEET 2.1.
5. SURVIVES SUBMERSION IN 1m OF WATER FOR 30 MINUTES;
SENSITIVITY WITHIN 3dB OF INITIAL SENSITIVITY AFTER DRIED
FOR 30 MINUTES AT ROOM TEMPERATURE.



Revision	C.O. #	Implementation Date	RELEASE LEVEL	REVISION
			Active	D
D	C10107779	8-20-08		

WHEN TEST LIMITS ARE USED TO ESTABLISH INCOMING INSPECTION ACCEPTANCE/REJECTION CRITERIA, CORRELATION OF TEST EQUIPMENT WITH KNOWLES IS ALSO REQUIRED FOR ELIMINATION OF EQUIPMENT AND TEST METHOD VARIATION		DR. BY	DATE
		TT	4-8-08
		CK. BY	DATE
		GJP	4-17-08
		APP. BY	DATE
		GJP	4-17-08

KNOWLES ELECTRONICS
ITASCA, ILLINOIS U.S.A.

TITLE WATERPROOF MICROPHONE & CABLE VEK-F-30460-000
PERFORMANCE SPECIFICATION **SHT 2.1**