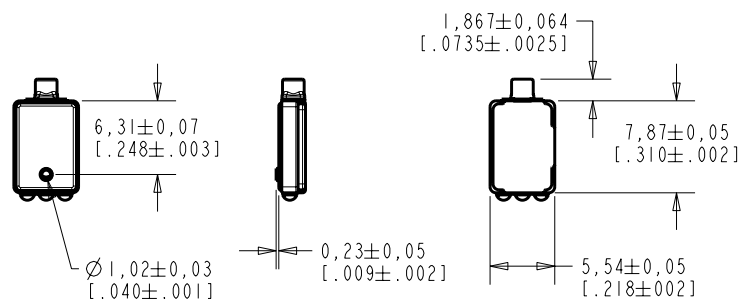
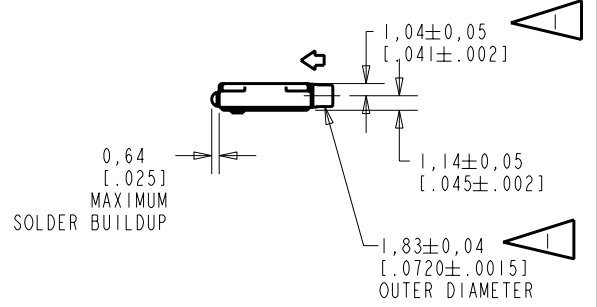
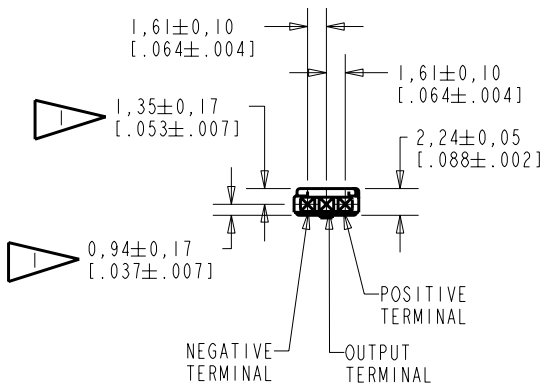


**BW-21784-000**  
SHT 1.1



NOTE:  
 LOCATED FROM TWO SURFACES FOR CUSTOMER CONVENIENCE. ONLY APPLICABLE FROM ONE SURFACE, NOT TO BE USED TOGETHER. HORIZONTAL LOCATION FOR TERMINAL CENTERED TO  $\pm 0,17$  [ .007 ].  
 2 ARROW () INDICATES DIRECTION OF PROPAGATION OF SOUND WAVE FOR MAXIMUM SENSITIVITY.



NOMINAL WEIGHT  
.28 GRAMS

DIMENSIONS IN MILLIMETERS [INCHES]

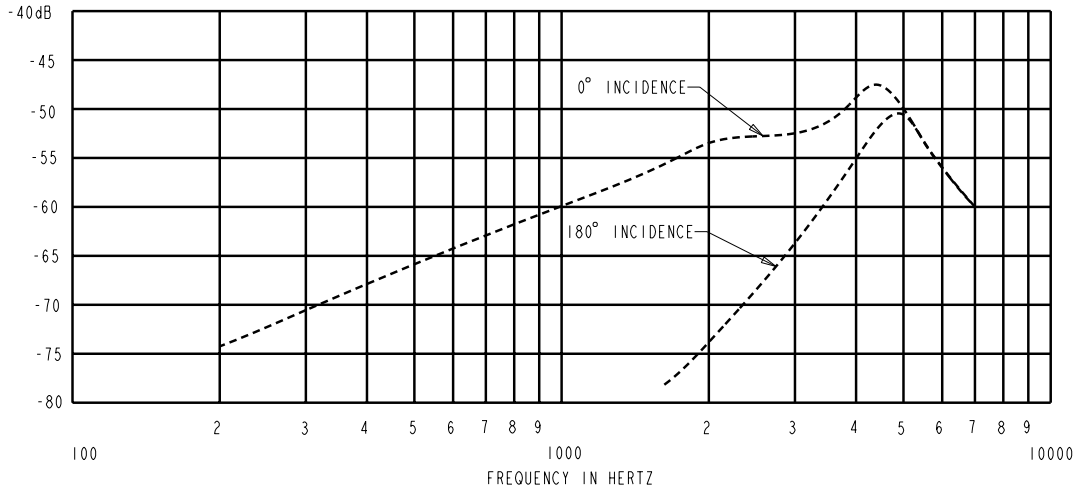
**KNOWLES ELECTRONICS**  
ITASCA, ILLINOIS U.S.A.

Revision	C.O. #	Implementation Date	RELEASE LEVEL	REVISION
			Released	A
A	MI0101308	11-22-06		

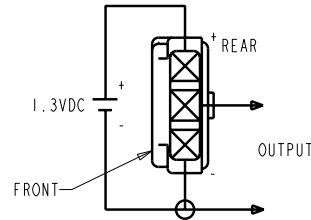
SCALE:	2:1		DR. BY	DATE
	DO NOT SCALE DRAWING		LSY	11-22-06
TITLE:	MICROPHONE	BW-21784-000	CK. BY	DATE
	OUTLINE DRAWING	SHT 1.1	GJP	12-8-06
			APP. BY	DATE
			GJP	12-8-06

KE111ASTZE.FRM Rev: B

SENSITIVITY IN dB RELATIVE TO 1.0 VOLT/0.1 Pa (N/M<sup>2</sup>) FOR CONDITIONS SHOWN BELOW.



FREQUENCY	SENSITIVITY			DEVICE CONFORMITY		
	MIN.	NOM.	MAX.	RANGE OF DEVIATION FROM 1kHz AT 0°		AT 180°
300	---	-70.5	---	-12.0	-9.0	---
1000	-63.0	-80.0	-57.0	0	0	-23.0 MIN
≈ 4300	---	-47.5	---	+7.0	+17.0	---



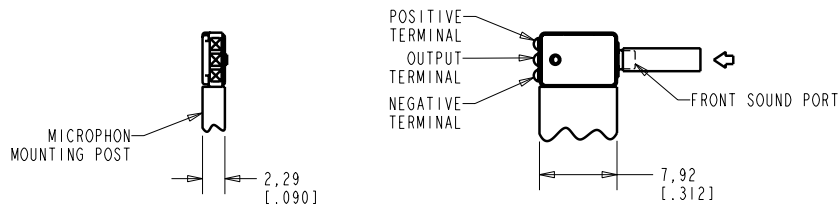
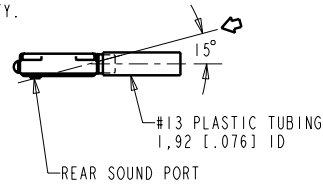
NOTES:

- CASE CONNECTED TO NEGATIVE TERMINAL.
- MICROPHONE TO BE FUNCTIONAL WITH 10 VDC SUPPLY.
- INDIVIDUAL SPECIFICATIONS:

PORT LOCATION	DC SUPPLY	AMPLIFIER CURRENT DRAIN	SENSITIVITY CHANGE ON REDUCING SUPPLY TO 0.9VDC	"A" WEIGHTED NOISE (1 kHz EQUIV. SPL)	OUTPUT IMPEDANCE OHMS			CAPACITANCE ±50%	
					MIN.	NOM.	MAX.	1-2	1-3
12S, 6NB	1.3V	50 μA MAX.	3dB MAX	-101dB MAX	2000	3500	6000	NA	NA

4. FREE-FIELD CONDITIONS:

- ARROW (↔) INDICATES DIRECTION OF SOUND FOR MAXIMUM SENSITIVITY.
- MICROPHONE UNDER TEST IS 915mm [36"] FROM SOUND SOURCE
- DIMENSIONS IN MILLIMETERS [INCHES]



SCALE 2:1

Revision	C.O. #	Implementation Date	RELEASE LEVEL	REVISION
A	M10101308	11-22-06	Released	A

**KNOWLES ELECTRONICS**  
ITASCA, ILLINOIS U.S.A.

WHEN TEST LIMITS ARE USED TO ESTABLISH INCOMING INSPECTION ACCEPTANCE/REJECTION CRITERIA, CORRELATION OF TEST EQUIPMENT WITH KNOWLES IS ALSO REQUIRED FOR ELIMINATION OF EQUIPMENT AND TEST METHOD VARIATION		DR. BY	DATE
TITLE: <b>MICROPHONE</b>		LSY	11-22-06
PERFORMANCE SPECIFICATION		GJP	12-8-06
BW-21784-000		APP. BY	DATE
SHT 2.1		GJP	12-8-06