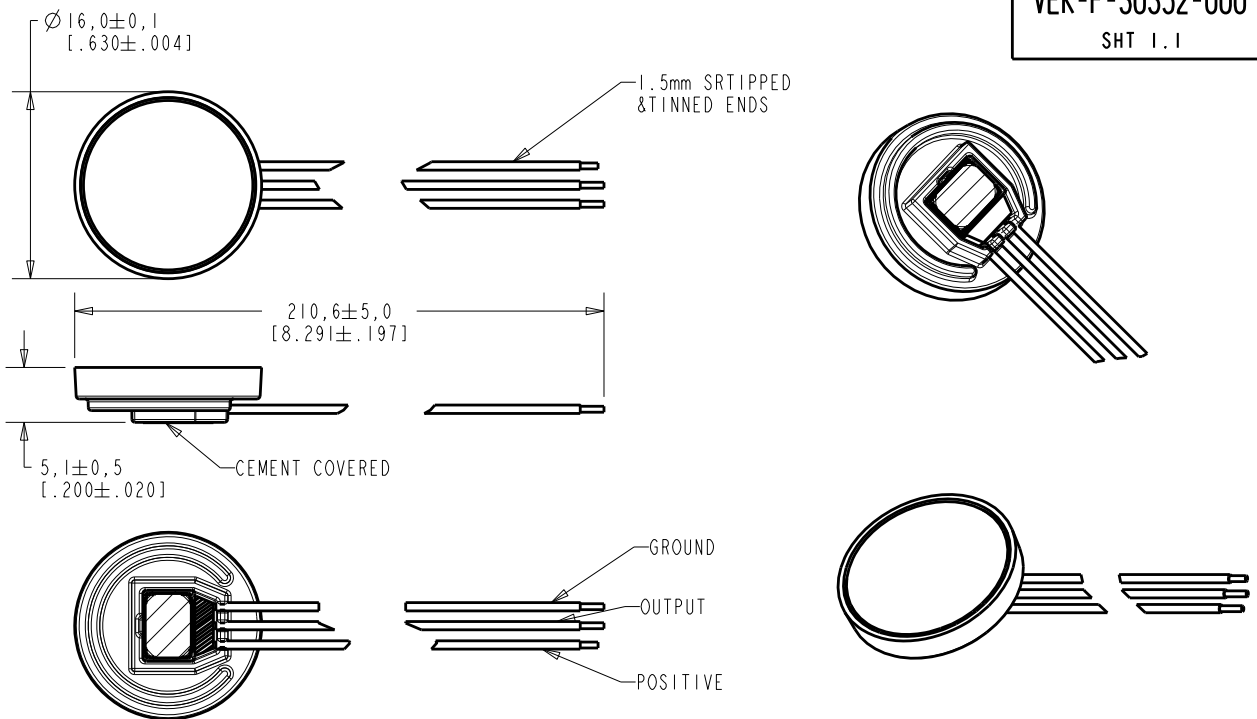


VEK-F-30352-000  
SHT 1.1



WIRE COLOR			WEIGHT GRAMS
POSITIVE	OUTPUT	BLACK	f. b. d
RED	WHITE		

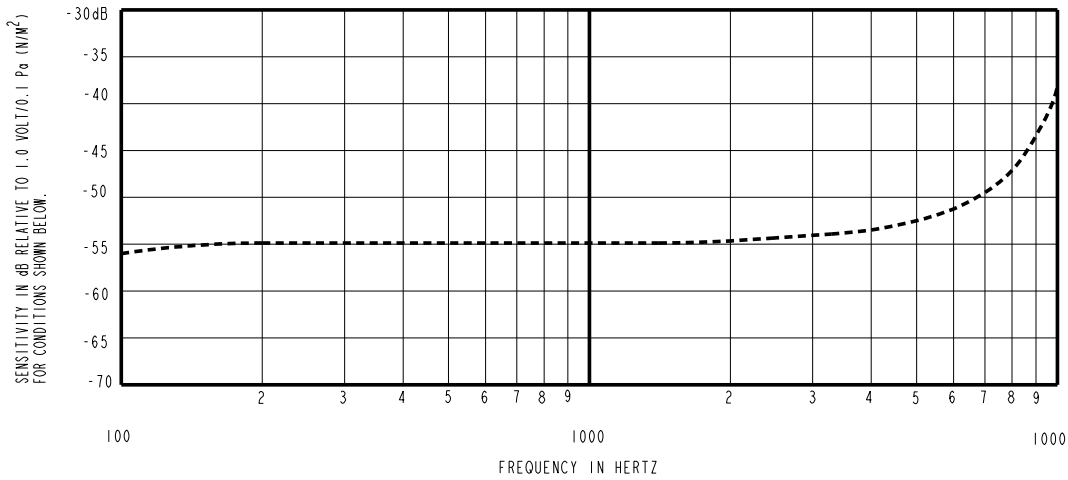
DIMENSIONS IN MILLIMETERS [INCHES]

Revision	C.O. #	Implementation Date	RELEASE LEVEL	REVISION
C	C10107779	8-20-08	Active	C
B	C10107752	8-12-08		
A	C10107373	6-11-08		

**KNOWLES ELECTRONICS**  
ITASCA, ILLINOIS U.S.A.

SCALE:	2:1	DR. BY	DATE
DO NOT SCALE DRAWING		TT	6-11-08
WATERPROOF MICROPHONE & CABLE VEK-F-30352-000		CK. BY	DATE
		GJP	6-17-08
		APP. BY	DATE
OUTLINE DRAWING	SHT 1.1	GJP	6-17-08

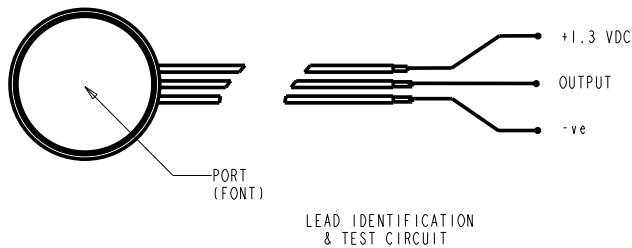
RE111ASIZE.FRM Rev: B



FREQUENCY	SENSITIVITY			DEVICE CONFORMITY	
	MIN.	NOM.	MAX.	RANGE OF DEVIATION FROM 1KHz	
100	---	-56.0	---	-4.0	+2.0
1000	-58.0	-55.0	-52.0	0.0	0.0
10000	---	-38.0	---	+12.0	+22.0

NOTES:

1. MICROPHONE TO BE FUNCTION WITH 10 VDC SUPPLY.
2. SENSITIVITY VALUES INDICATED ON THIS SPECIFICATION ARE VALID AT 50% HUMIDITY.
3. TEST CONDITIONS:  
SEAL PRODUCT TO 74 dBSPL SWEPT  
SOUND FIELD CREATED BY VOICE APERTURE.  
ARTIFICIAL VOICE:  
B & k 4227 MOUTH SIMULATOR.
4. FOR MICROPHONE CAPSULE SPEC. SEE DRAWING EK-23132-C36 SHEET 2.1.
5. SURVIVES 20m SUBMERSION BASED ON QUALIFICATION TESTING;  
100% TEST 30 MINUTES 1m SUBMERSION; SENSITIVITY WITHIN  
3dB OF INITIAL SENSITIVITY AFTER DRIED FOR 30 MINUTES AT ROOM TEMPERATURE.



**KNOWLES ELECTRONICS**  
ITASCA, ILLINOIS U.S.A.

Revision	C.O. #	Implementation Date	RELEASE LEVEL	REVISION
C	C10107779	8-20-08	<b>Active</b>	<b>C</b>
B	C10107752	8-12-08		
A	C10107373	6-11-08		
<small>WHEN TEST LIMITS ARE USED TO ESTABLISH INCOMING INSPECTION ACCEPTANCE/REJECTION CRITERIA, CORRELATION OF TEST EQUIPMENT WITH KNOWLES IS ALSO REQUIRED FOR ELIMINATION OF EQUIPMENT AND TEST METHOD VARIATION</small>				DR. BY: TT DATE: 6-11-08 CK. BY: GJP DATE: 6-17-08 APP. BY: GJP DATE: 6-17-08
TITLE: <b>WATERPROOF MICROPHONE &amp; CABLE</b> PERFORMANCE SPECIFICATION			VEK-F-30352-000 SHT 2.1	