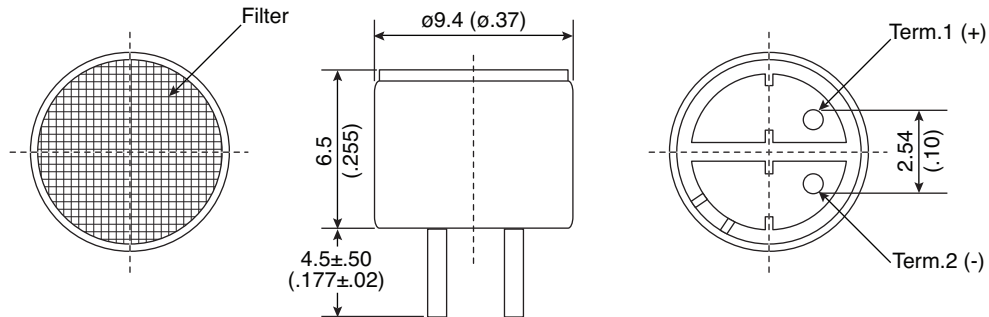
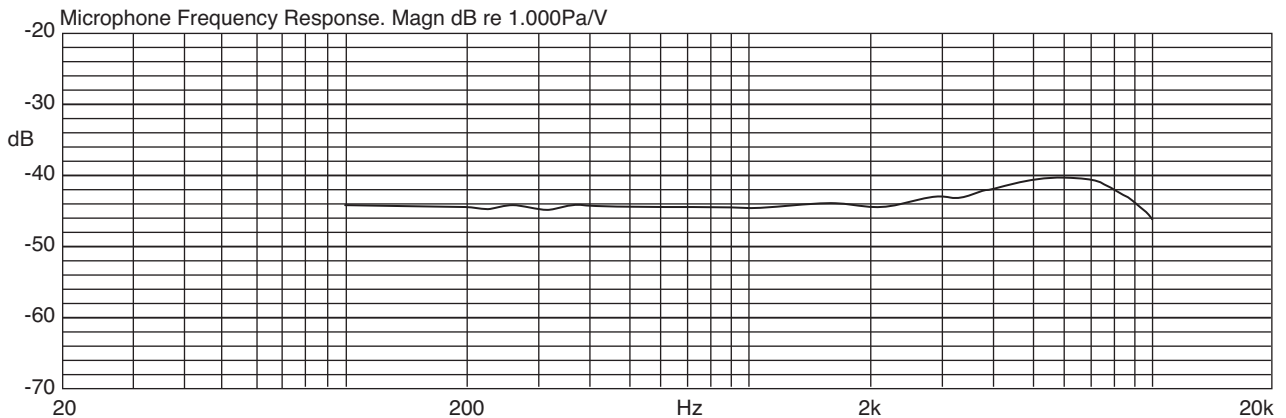


**Part Number:**

254-ECM944-RO



**Frequency Response Curve**



Microphone

KT-400484

**Electrical Specifications:**

- Sensitivity:  $-44 \pm 2$  dB
- Standard Operation Voltage: 4.5V
- Frequency Range: 70-20K Hz
- Current Consumption: 0.5mA (max)
- Output Impedance:  $2.2k\Omega$  (max)
- S/N Ratio:  $\geq 58$  dB
- Sound Pressure Level: 110dB

**Mechanical Specifications:**

- Operating Temperature:  $-20^{\circ}\text{C} \sim +60^{\circ}\text{C}$
- Storage Temperature:  $-25^{\circ}\text{C} \sim +70^{\circ}\text{C}$

**Note:**

- RoHS Compliant