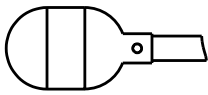
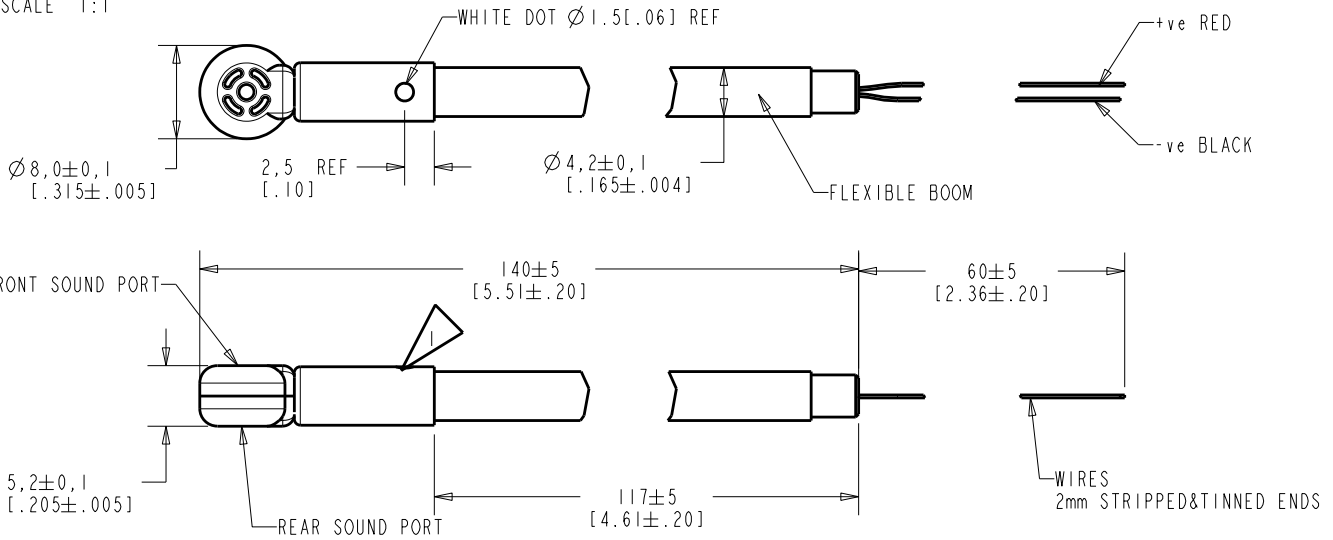


FB-DE-30292-000
SHT 1.1

THE FRONT SOUND PORT IS ADJACENT TO THE MODEL NUMBER IDENTIFICATION.



TOP VIEW
W/WINDSHIELD SHOWN
SCALE 1:1



WIRE COLOR			WEIGHT GRAMS
+ve	OUTPUT	-ve	
RED	-	BLACK	13.1

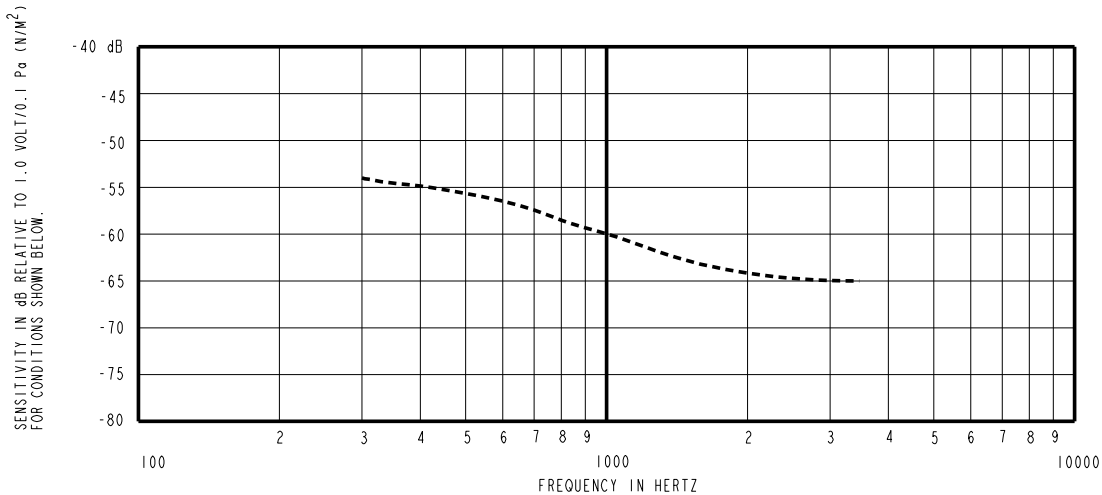
DIMENSIONS IN MILLIMETERS [INCHES]

Revision	C.O. #	Implementation Date	RELEASE LEVEL	REVISION
B	C10107745	8-1-08	Active	B
A	C10107740	7-10-08		

KNOWLES ELECTRONICS
ITASCA, ILLINOIS U.S.A.

SCALE:	2:1	DR. BY	DATE
DO NOT SCALE DRAWING		TT	7-10-08
TITLE:	BOOM MICROPHONE	GJP	7-15-08
	FB-DE-30292-000	APP. BY	DATE
	OUTLINE DRAWING	GJP	7-15-08
	SHT 1.1		

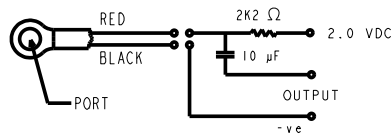
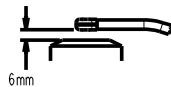
RE111ASIZE.FRM Rev: B



FREQUENCY	SENSITIVITY			DEVICE CONFORMITY	
	MIN.	NOM.	MAX.	RANGE OF DEVIATION FROM 1KHz	
300	---	-54.0	---	+2.0	+10.0
1000	-63.0	-60.0	-57.0	-0.0	+0.0
4000	---	-65.0	---	-9.0	-1.0

NOTES:

- MICROPHONE TO BE FUNCTIONAL WITH 10 VDC SUPPLY.
- SENSITIVITY VALUES INDICATED ON THIS SPECIFICATION ARE VALID AT 50% HUMIDITY.
- TEST CONDITIONS:
HEAD OF BOOM EXPOSED TO 74 dB SPL SWEPT
SOUND FIELD AT 6mm FROM VOICE APERTURE.
ARTIFICIAL VOICE:
B & K 4227 MOUTH SIMULATOR.
- FOR MICROPHONE CAPSULE SPEC. SEE MB6022USC-3.



LEAD IDENTIFICATION
& TEST CIRCUIT

Revision	C.O. #	Implementation Date	RELEASE LEVEL	REVISION
B	C10107745	8-1-08	Active	B
A	C10107740	7-10-08		
WHEN TEST LIMITS ARE USED TO ESTABLISH INCOMING INSPECTION ACCEPTANCE/REJECTION CRITERIA, CORRELATION OF TEST EQUIPMENT WITH KNOWLES IS ALSO REQUIRED FOR ELIMINATION OF EQUIPMENT AND TEST METHOD VARIATION			DR. BY	DATE
TITLE: BOOM MICROPHONE FB-DE-30292-000 PERFORMANCE SPECIFICATION			TT	7-10-08
			CK. BY	DATE
			GJP	7-15-08
			APP. BY	DATE
			GJP	7-15-08

KNOWLES ELECTRONICS
ITASCA, ILLINOIS U.S.A.

SHT 2.1