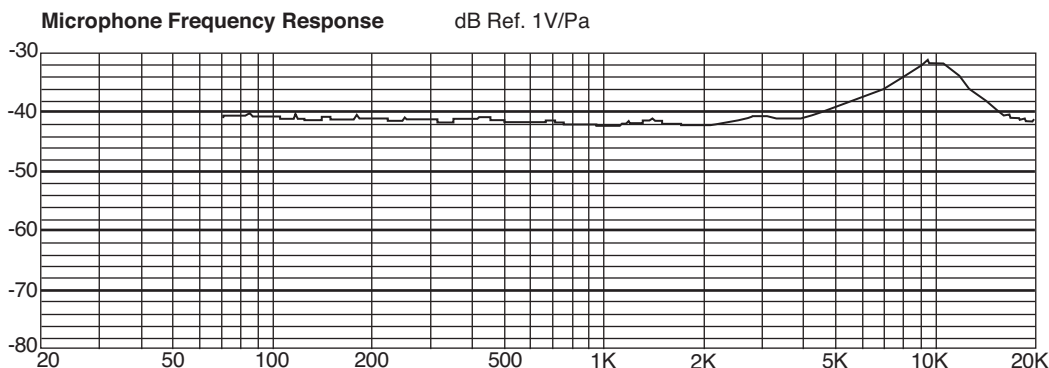
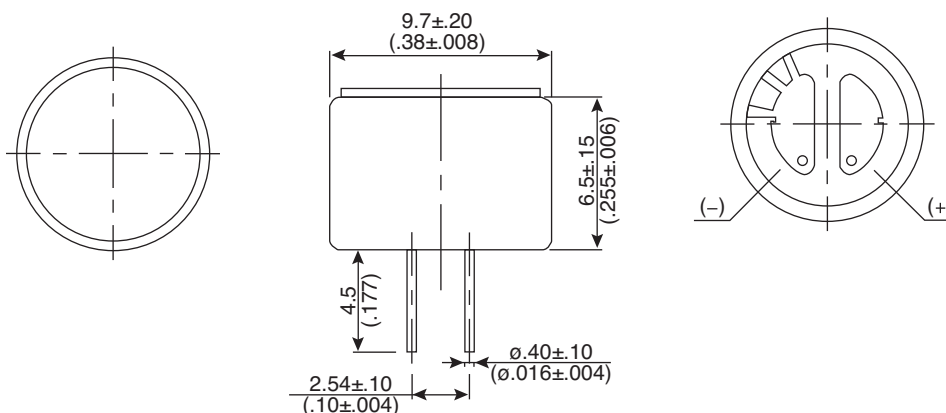


Part Number:

254-ECM97421-RO

Electret Condenser Microphone



Electrical Specifications:

- Sensitivity: -42 ± 3 dB
- Output Impedance: $2.2 \text{K}\Omega$ (Max)
- Frequency Range: 70-20,000 Hz
- Standard Operation Voltage: 4.5V
- Current Consumption: 0.5mA (Max)
- S/N Ratio: > 58 dB

Mechanical Specifications:

KT-400483

- Operating Temperature: $-25 \sim +70^\circ\text{C}$
- Storage Temperature: $-40 \sim +70^\circ\text{C}$

Note:

- RoHS Compliant