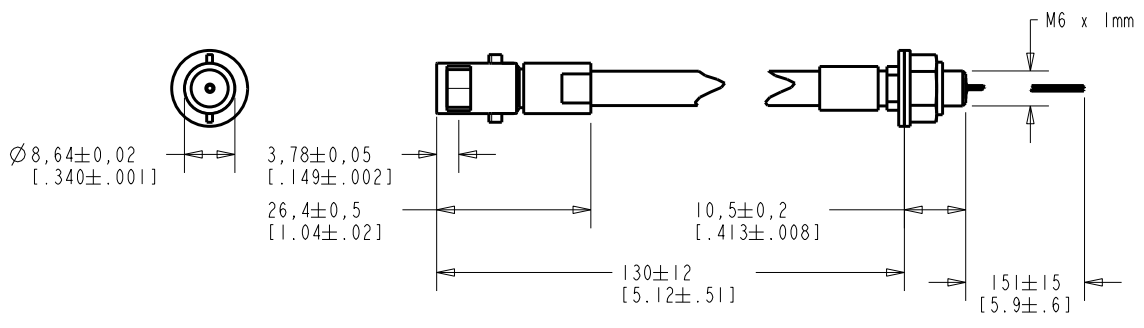
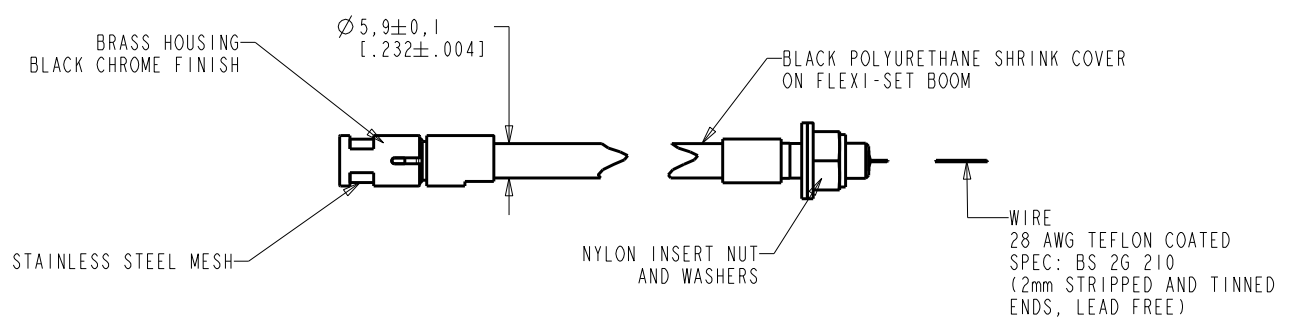


FB-F0-25581-000
SHT 1.1



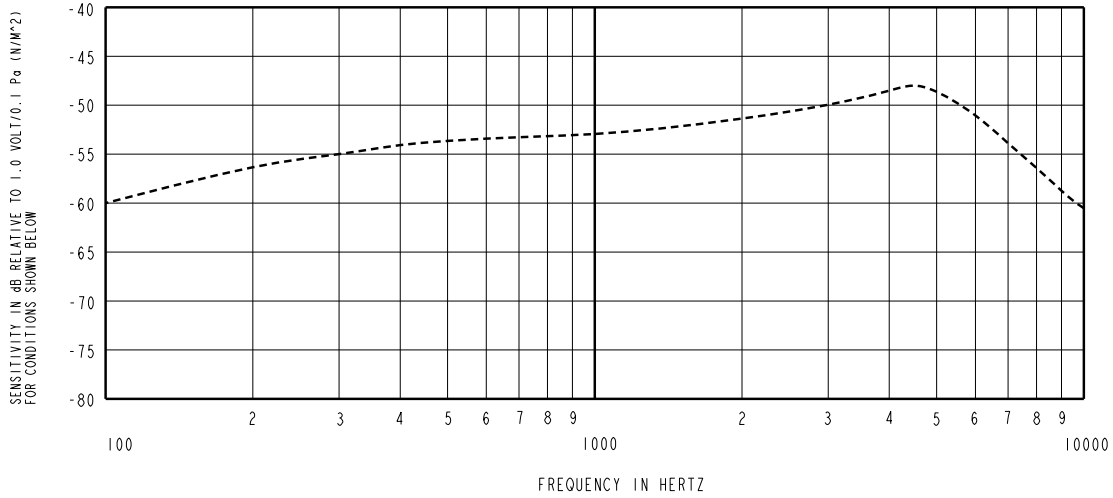
WIRE COLOR				WEIGHT GRAMS
+ve	OUTPUT	-ve	SCREEN	
RED	WHITE	BLACK	GREEN	29.1

DIMENSIONS IN MILLIMETERS [INCHES]

KNOWLES ELECTRONICS
ITASCA, ILLINOIS U.S.A.

Revision	C.O. #	Implementation Date	RELEASE LEVEL	REVISION
			Active	D
D	C40100632	4-21-11		
SCALE: 1:1			DR. BY	DATE
TITLE: BOOM MICROPHONE FB-F0-25581-000			SDZ	5-22-07
			DO NOT SCALE DRAWING	
OUTLINE DRAWING			GJP	6-05-07
			SHT 1.1	
			GJP	6-05-07

HE111AS12E.FRM Rev: B

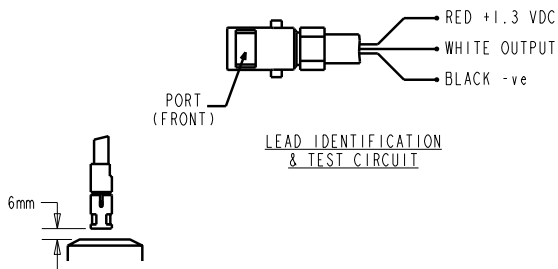


FREQUENCY	SENSITIVITY		
	MIN	NOM	MAX
100	---	-60.0	---
1000	-56.0	-53.0	-50.0
3500-5500	---	-48.5	---

DEVICE CONFORMITY	
RANGE OF DEVIATION FROM 1KHz	
-11.0	+4.0
0.0	0.0
+1.5	+7.5

NOTES:

1. MICROPHONE TO BE FUNCTIONAL WITH 10 VDC SUPPLY.
2. SENSITIVITY VALUES INDICATED ON THIS SPECIFICATION ARE VALID AT 50% HUMIDITY.
3. TEST CONDITIONS:
HEAD OF BOOM EXPOSED TO 94 dB SPL SWEPT SOUND FIELD AT 6mm FROM VOICE APERTURE.
ARTIFICIAL VOICE:
B & K 4227 MOUTH SIMULATOR.
4. FOR MICROPHONE CAPSULE SPEC. SEE EK-23024-000 SHEET 2.1



Revision	C.O. #	Implementation Date	RELEASE LEVEL	REVISION
			Active	D
D	C40100632	4-21-11		

KNOWLES ELECTRONICS
ITASCA, ILLINOIS U.S.A.

WHEN TEST LIMITS ARE USED TO ESTABLISH INCOMING INSPECTION ACCEPTANCE/REJECTION CRITERIA, CORRELATION OF TEST EQUIPMENT WITH KNOWLES IS ALSO REQUIRED FOR ELIMINATION OF EQUIPMENT AND TEST METHOD VARIATION

TITLE: **BOOM MICROPHONE FB-F0-25581-000**
PERFORMANCE SPECIFICATION

DR. BY	DATE
SDZ	5-22-07
CK. BY	DATE
GJP	6-05-07
APP. BY	DATE
GJP	6-05-07