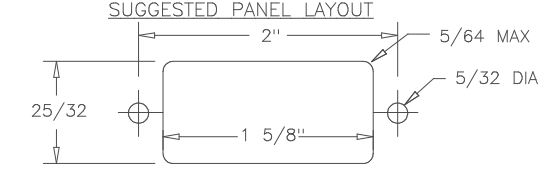


SPECIFICATIONS

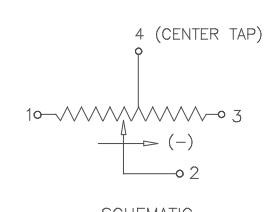
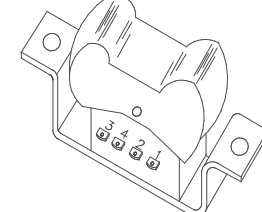
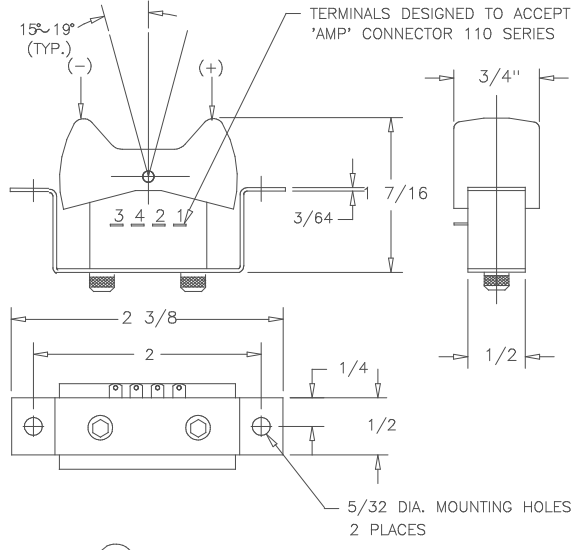
RESISTANCE	-----1K,5K,10K,20K ±15%
LINEARITY (INDEPENDENT)	-----±3%
POWER RATING	-----0.1 WATTS
ELECTRICAL ANGLE	-----30°±5°
MECHANICAL ANGLE	-----±15° ~ ±19°
CENTER RETURN ACCURACY	-----50% ±3%
RESOLUTION	-----ESSENTIALLY INFINITE
MAX. WIPER OUTPUT	-----1 mA RECOMMENDED, 5mA MAX.
OUTPUT SMOOTHNESS	-----BELOW 0.2% AGAINST INPUT VOLTAGE
CONTACT RESISTANCE VARIATION	-----BELOW 5% C.R.V.
INSULATION RESISTANCE	-----1000MEG OHMS @ 500VDC MIN.
DIELECTRIC STRENGTH	-----1 MINUTE AT 500 VAC
STARTING TORQUE	-----.15 OZ. IN. ~ .18 OZ. IN.
WIPER CURRENT	-----BELOW 10 uA
WEIGHT	-----APPROX. 0.7 OZ.
OPERATING TEMPERATURE	-----20°C TO +65°C
STOPPER STRENGTH	-----OVER 0.03 OZ. IN.
VIBRATION	-----10 - 55 Hz, 10G.
SHOCK	-----30G.
LIFE EXPECTANCY	-----APPROX. 2,000,000 OPERATIONS.

MATERIALS

HOUSING	-----HIGH TEMP. THERMO PLASTIC
TERMINALS	-----GOLD PLATED BRASS
RESISTANCE ELEMENT	-----CONDUCTIVE PLASTIC



REV.	BY	DATE	P/N	J3R
1	AT	11-13-02	ADDED J3R-IT-1K	



20K	YES	TO CENTER	J3R-IT-20K
1K	YES	TO CENTER	J3R-IT-1K
1K	NO	TO TERMINAL #1	J3R-E-1K
10K	NO	TO CENTER	J3R-I-10K
5K	NO	TO CENTER	J3R-I-5K
10K	NO	TO TERMINAL #1	J3R-E-10K
5K	NO	TO TERMINAL #1	J3R-E-5K
5K	YES	TO CENTER	J3R-IT-5K
10K	YES	TO CENTER	J3R-IT-10K
RESISTANCE	CENTER TAP	POSITION SPRING RETURNS	MODEL
		ROCKER	

TOLERANCES
 XX = +/- .010" FRACT. = +/- 1/64"
 XXX = +/- .005" ANGLES = +/- 1/2"
 ALL SPECIFICATIONS SUBJECT TO CHANGE WITHOUT NOTICE.

SCALE	DATE: 3-6-96
	BY
	APPRV'D BT
CODE IDENT: 19477	



TITLE
 ROCKER POT

PART NO.
 J3R