

Honeywell

Interactive Catalog Replaces Catalog Pages

Honeywell Sensing and Control has replaced the PDF product catalog with the new **Interactive Catalog**. The **Interactive Catalog** is a power search tool that makes it easier to find product information. It includes more installation, application, and technical information than ever before.



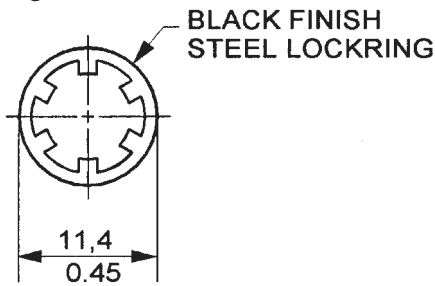
**Click this icon to try the new
Interactive Catalog.**

ACCESSORIES SELECTION GUIDE

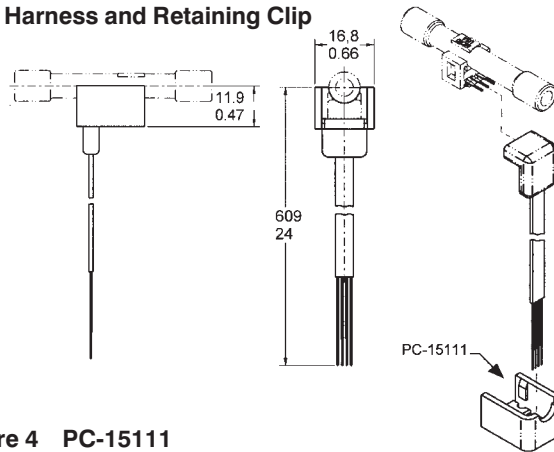
| Catalog Listing | Description | Drawing |
|-----------------|--|----------|
| PC-10182 | Steel locking (included with Port Style A, 1 x 4 terminals only) 22, 24, 26PC only | Figure 1 |
| PC-15111 | Cable retaining clip for large port Flow-Through sensor only | Figure 4 |
| PC-15110 | Single hole plastic bracket | Figure 3 |
| PC-15015 | Mounting bracket | Figure 6 |
| PC-15132 | Plastic Mounting bracket | Figure 5 |
| 20PCWHRC | Flow-Through wire harness and retaining clip | Figure 2 |
| 26PCBKT | Mounting bracket for large port Flow-Through sensor only | Figure 7 |
| PC-15202 | Mounting bracket for Luer Port | Figure 8 |
| PC-15204 | Mounting bracket for Straight Port | Figure 9 |

Unamplified

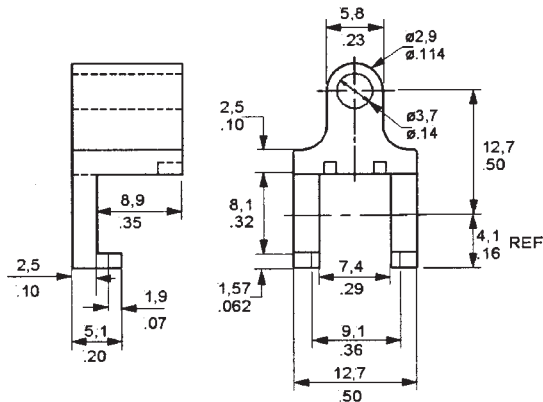
**Figure 1 PC-10182
Steel Lockring**



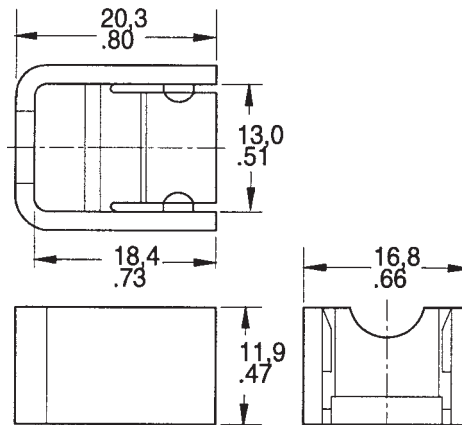
**Figure 2 20PCWHRC
Wire Harness and Retaining Clip**



**Figure 3 PC-15110
Single Hole Plastic Bracket**



**Figure 4 PC-15111
Cable Retaining Clip**



**Figure 5 PC-15132
Plastic Mounting Bracket**

