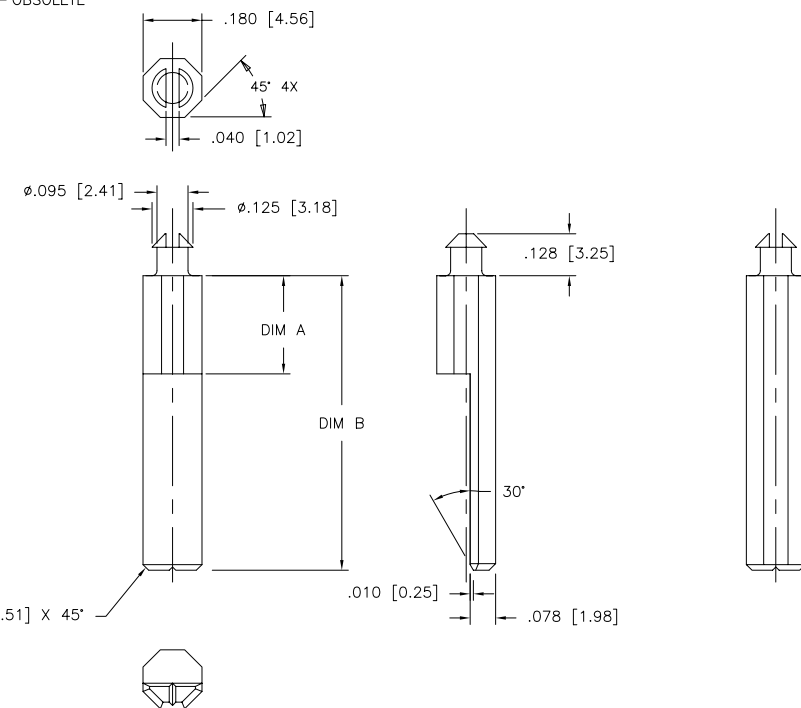


PRODUCT NO.	DIM A	DIM B
77549-001		
77549-001LF	.065/1.65	.275/6.99
77549-002		
77549-002LF	.300/7.62	.900/22.86
77549-003		
77549-003LF	.450/11.43	.770/19.56
77549-004		
77549-004LF	.065/1.65	.310/7.87



NOTES:

- MATERIAL: NYLON, FLAME RETARDANT PER UL94V-0, COLOR: BLUE
- ADD AN LF SUFFIX TO PART NUMBERS FOR PRODUCT THAT MEETS EUROPEAN UNION DIRECTIVES AND OTHER COUNTRY REGULATIONS AS DESCRIBED IN GS-22-008.
- THIS PRODUCT IS NOT INTENDED TO BE EXPOSED TO MANUFACTURING SOLDER PROCESSES.

mat'l. code	surface	tolerance	projection	product family
NOTE 1	ISO 1302	ISO 406		HPC
ISO 1101		ISO 1101		
ltr	ecn	no	dr	date
F	V90010	SAR	1/18/99	
G	V00717	LSS	3/22/00	
H	V05-0964	HTB	10/18/05	
J	M06-0283	MHT	7/27/06	
tolerances unless otherwise specified		angles	linear	0'±2'
				.XXX±.01/.3
				.XXX±.005/.13
				.XXX±.0020/.05
engr	M.GRAY	3/22/00		
chr	M.GRAY	3/22/00		
appd	M.GRAY	3/22/00		
sheet index	revision sheet	J	1	

title	product family	scale	sheet 1 of 1	size
8 POSITION MATING ORIENTATION INSERT	HPC	1:1	1	A3
dwg no	77549			
type	Product Customer Drawing			