

VS-08-SD-S

Order No.: 1652871

The illustration shows the product version VS-08-SD

<http://eshop.phoenixcontact.de/phoenix/treeViewClick.do?UID=1652871>



Protective cover, IP67, tall design, irradiated for welding applications

Ethernet

Commercial data

GTIN (EAN)	 4 017918 969899
Note	Made-to-order
sales group	D510
Pack	5 pcs.
Customs tariff	39235090
Catalog page information	Page 34 (PC-2005)

Product notes

WEEE/RoHS-compliant since:
06/01/2005



<http://www.download.phoenixcontact.com>
Please note that the data given here has been taken from the online catalog. For comprehensive information and data, please refer to the user documentation. The General Terms and Conditions of Use apply to Internet downloads.

Technical data

Mechanical characteristics

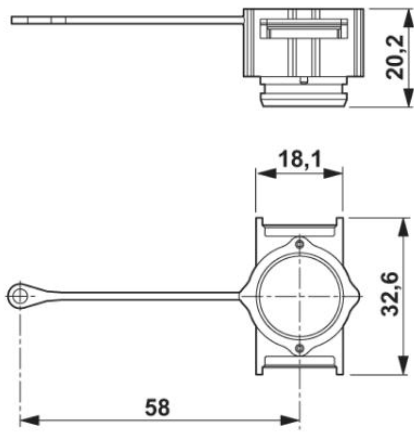
Color	black
Ambient temperature (operation)	-40 °C ... 80 °C

Material data

Inflammability class acc. to UL 94	HB
Housing material	PA
Sealing material	FPM
Seal material	FPM
Degree of protection	IP67

Diagrams/Drawings

Dimensioned drawing



Protective cover, IP67

Address

PHOENIX CONTACT Inc., USA
586 Fulling Mill Road
Middletown, PA 17057, USA
Phone (800) 888-7388
Fax (717) 944-1625
<http://www.phoenixcon.com>



© 2011 Phoenix Contact
Technical modifications reserved;