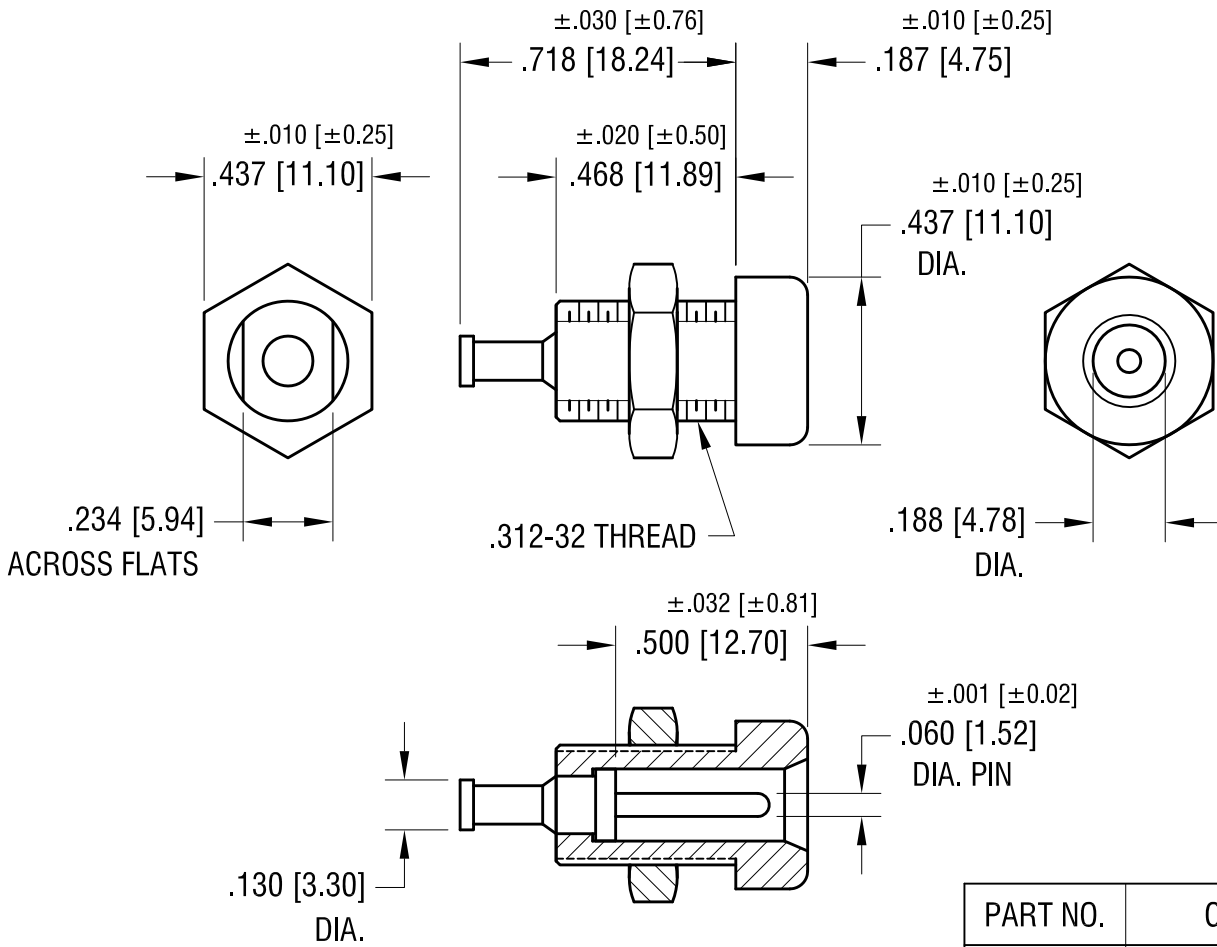


THIS DOCUMENT IS THE PROPERTY OF KEYSTONE ELECTRONICS CORP. AND SHALL NOT BE REPRODUCED, DISTRIBUTED OR USED AS A BASIS FOR MANUFACTURE WITHOUT PRIOR WRITTEN PERMISSION FROM KEYSTONE ELECTRONICS CORP.



NOTES:

1. MALE PIN:

MAT'L - BRASS
FINISH - GOLD PLATE

NUT:

MAT'L - BRASS
FINISH - NICKEL PLATE

INSULATOR:

MAT'L - POLYCARBONATE

| PART NO. | COLOR |
|----------|--------|
| 9000 | WHITE |
| 9001 | RED |
| 9002 | BLACK |
| 9003 | GREEN |
| 9004 | YELLOW |
| 9005 | BLUE |

| | | |
|---------|--------------------------|------|
| 6.15.09 | CHANGE AS PER ECN 09-069 | A |
| DATE | DESCRIPTION | REV. |

| | | | |
|---------------------------------------------------------------------|------------------------------|-----------------|-----------------------------|
| KEYSTONE ELECTRONICS CORP. | | | |
| www.keyelco.com • ASTORIA, N.Y. 11105-2017 • Tel (718) 956-8900 | | | |
| PART NAME SHROUDED MALE PIN JACK | | | |
| MATERIAL AS NOTED | | | |
| FINISH AS NOTED | | DRN BY BOONE | DATE 12.19.95 |
| | | APP'D | SCALE 2X |
| TOLERANCES DECIMAL ANGULAR ± 1° UNLESS OTHERWISE SPECIFIED | INCH [MM] ± .005 [± 0.15] | CODE C | DWG NO. 9000-9005 |