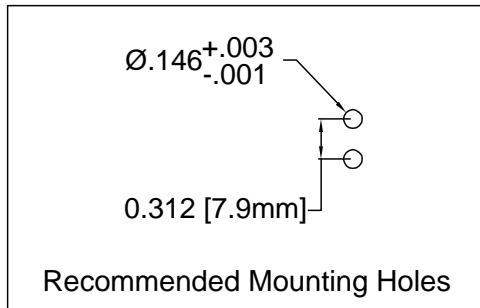
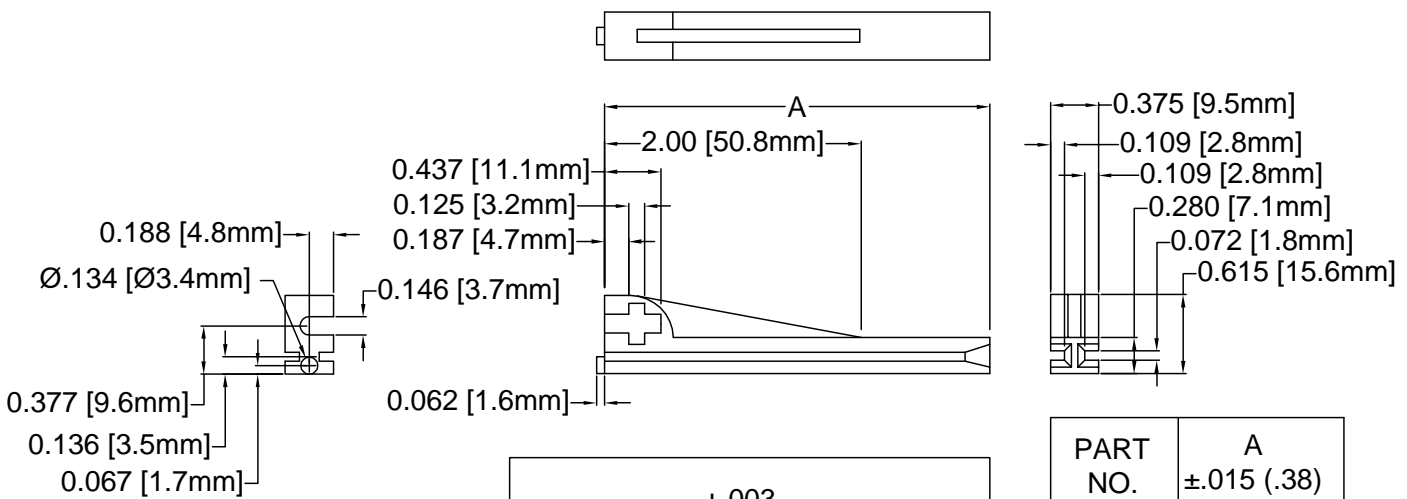


REV.	DESCRIPTION	DATE	APPROVED
A	Engineering Update w/o Changes	03/01/04	M. C.



PART NO.	A
VG3-3	3.0 (76.2)
VG3-35	3.5 (88.9)
VG3-4	4.0 (101.6)
VG3-45	4.5 (114.3)
VG3-5	5.0 (127.0)
VG3-55	5.5 (139.7)
VG3-6	6.0 (152.4)

2. MATERIAL: NYLON 6, 10% GLASS, 94V-0, BLACK. BIVAR MATERIAL CODE 12-BK. RTP 299A X 59354CFR, BLACK OR MODIFIED PLASTICS MN6-FG10SE BK.
1. GENERAL SPECIFICATIONS: BIVAR MOLDED COMPONENT SPECIFICATION BV00-E101.

STANDARD TOLERANCE (UNLESS OTHERWISE SPECIFIED)		BIVAR®	
DECIMALS	ANGULAR	4 THOMAS, IRVINE, CA. 92618	
.X ± .1	X° ± 1°	TEL: (949) 951-8808 FAX: (949) 951-3974	
.XX ± .01		TITLE: VERT-O-GUIDE	
.XXX ± .005		DESIGNED: Shane Irving	DATE: 11/22/00
		CHECKED: D. Green	DATE: 03/01/04
		PART NO: VG3-XX	REVISION: A
		CAGE CODE: 32559	SHEET # 1 OF 1
		CAD GENERATED DOCUMENT. DO NOT MEASURE DRAWING.	