

IB IL 24 PWR IN/2-F-D

Order No.: 2860280


The illustration shows version IB IL 24 PWR IN/F



<http://eshop.phoenixcontact.de/phoenix/treeViewClick.do?UID=2860280>


Inline power terminal block, without accessories, 24 V DC, with fuse (Main and segment voltage) and diagnostics



Commercial data	
GTIN (EAN)	 4 017918 822750
Note	Made-to-order
sales group	K417
Pack	1 pcs.
Customs tariff	85389091
Catalog page information	Page 59 (AX-2007)

Product notes

WEEE/RoHS-compliant since:
06/28/2006



<http://www.download.phoenixcontact.com>
Please note that the data given here has been taken from the online catalog. For comprehensive information and data, please refer to the user documentation. The General Terms and Conditions of Use apply to Internet downloads.

Product description

The power and segment terminals supply the Inline station with power.

The power terminal block supplies power to the I/O circuit. This supply input allows electrical isolation from the previous voltage group.

The segment terminal makes it possible to group any number of consecutive terminals into separate segments within an Inline station.

Power and segment terminals are available both with or without integrated fusing.

The Inline terminals can be labeled using hinged labeling fields. The fields have insert cards that can be labeled individually to suit the application. Additionally, there is the proven ZBFM-6... Zack strip for labeling the terminal points.

Technical data

Interfaces

Connection method	Inline data jumper
Interface	Inline local bus

Power supply

Communications power U_L	7.5 V DC (via voltage jumper)
Typical current consumption	30 mA
I/O voltage	24 V DC
Peripherals voltage range	19.2 V ... 30 V DC (including all tolerances, including ripple)
Max. current consumption	4 A
Fuse	SI 5 x 20 6, 300 AT (in scope of delivery)

General data

Type of protection	Polarity protection, surge protection
Weight	44 g
Number of connectors	1
Width	12.2 mm
Height	119.8 mm
Depth	71.5 mm

Inline potential routing

Communications power U_L	7.5 V DC
Current consumption from U_L	25 mA DC (maximum)
Main circuit supply U_M	24 V DC -15% / +20% (in acc. with EN 61131-2) (nominal value)
Power supply at U_M	4 A (nominal value)
Segment supply voltage U_S	24 V DC -15% / +20% (in acc. with EN 61131-2)
Power supply at U_S	4 A (nominal value)

Certificates / Approvals



Certification CUL, GOST, UL

Certification Ex: PxC-EX

Accessories

Item	Designation	Description
------	-------------	-------------

Marking

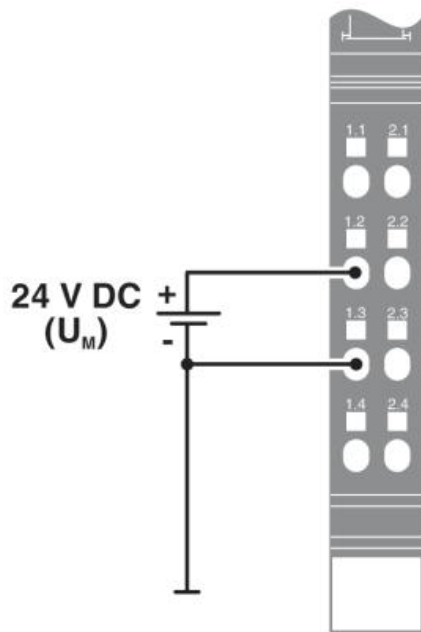
0809492	ESL 62X10	Insert strip for laser printer, lettering field: 62 x 10 mm
2727501	IB IL FIELD 2	Labeling field, width: 12.2 mm

Plug/Adapter

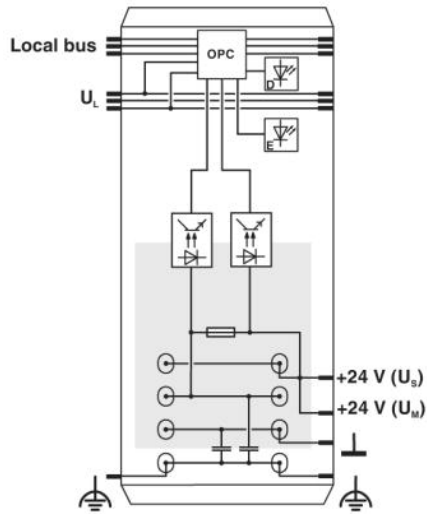
2727462	IB IL SCN-PWR IN	Connector, for Inline power and segment terminal blocks
2727637	IB IL SCN-PWR IN-CP	Connector, colored, for Inline power and segment terminal blocks

Diagrams/Drawings

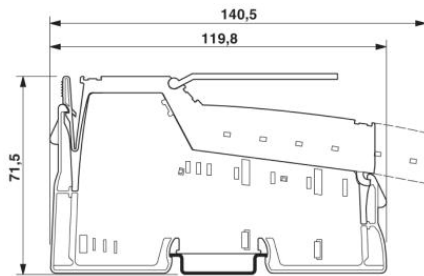
Connection diagram



Block diagram



Dimensioned drawing



Address

PHOENIX CONTACT Inc., USA
586 Fulling Mill Road
Middletown, PA 17057, USA
Phone (800) 888-7388
Fax (717) 944-1625
<http://www.phoenixcon.com>



© 2011 Phoenix Contact
Technical modifications reserved;