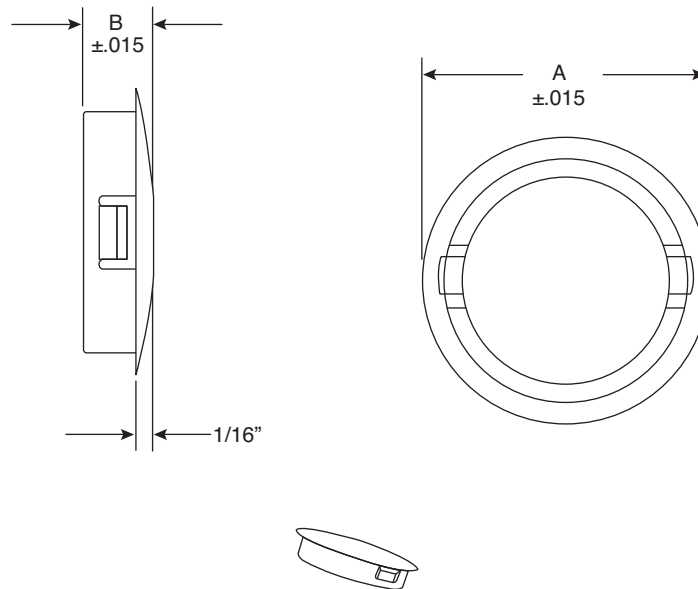


Female Circuit Board Posts - Self Threading

561-MPS187, 561-MPS375, 561-MPS312, 561-MPS500, 561-MPS625, 561-MPS750, 561-MPS875

Date Last Revised: 5-27-09

Mini Locking Hole Plugs



NOTE: Miniature Locking Hole Plugs accommodate panels up to $1/16"$ thickness and require only $1/8"$ clearance.

RoHS Compliant

Specifications

| Item Number | Description | Hole Dia. | A | B |
|-------------|------------------------------|-----------|-----------------|----------------|
| 561-MPS187 | 3/16" Mini Locking Hole Plug | 0.187 | .250(+/- .015) | .234(+/- .015) |
| 561-MPS375 | 3/8" Mini Locking Hole Plug | 0.375 | .468(+/- .015) | .250(+/- .015) |
| 561-MPS312 | 5/16" Mini Locking Hole Plug | 0.312 | .375(+/- .015) | .234(+/- .015) |
| 561-MPS500 | 1/2" Mini Locking Hole Plug | 0.500 | .578(+/- .015) | .250(+/- .015) |
| 561-MPS625 | 5/8" Mini Locking Hole Plug | 0.625 | .718(+/- .015) | .250(+/- .015) |
| 561-MPS750 | 3/4" Mini Locking Hole Plug | 0.750 | .922(+/- .015) | .250(+/- .015) |
| 561-MPS875 | 7/8" Mini Locking Hole Plug | 0.875 | 1.016(+/- .015) | .250(+/- .015) |

Description

- Material - molded of heat stabilized nylon (UL 94V2 Black). Available in white.

Available from Mouser Electronics
1-800-346-6873 / www.mouser.com

EPD-200796

Specifications are subject to change without notice. No liability or warranty implied by this information. Environmental compliance based on producer documentation.