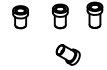
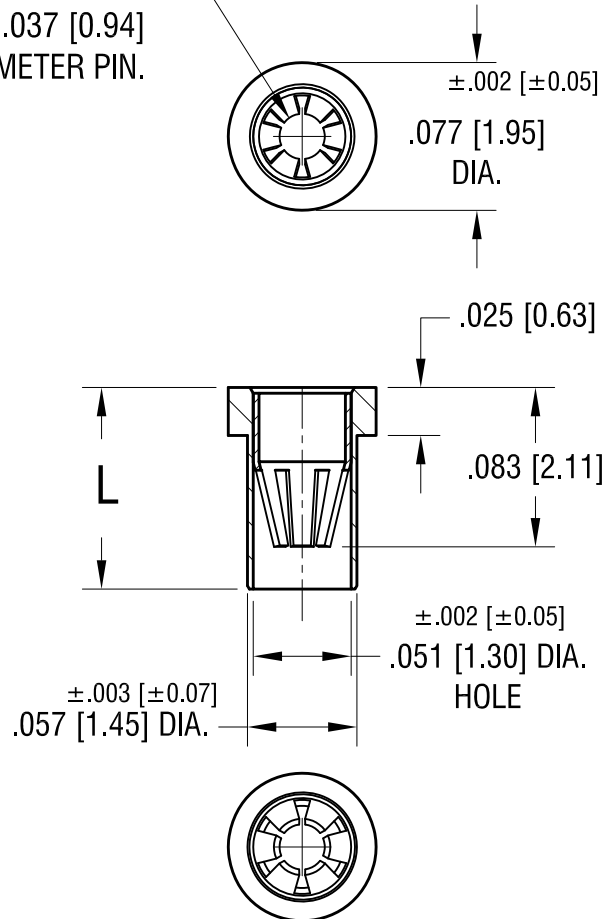


THIS DOCUMENT IS THE PROPERTY OF
KEYSTONE ELECTRONICS CORP. AND
SHALL NOT BE REPRODUCED, DISTRIBUTED
OR USED AS A BASIS FOR MANUFACTURE
WITHOUT PRIOR WRITTEN PERMISSION
FROM KEYSTONE ELECTRONICS CORP.



6-FINGER CLOSED
ENTRY CONTACT FOR
.025 [0.63] - .037 [0.94]
DIAMETER PIN.



NOTES:

1. SPRING CONTACT:
MAT'L - BERYLLIUM COPPER
FINISH - GOLD PLATE
BODY:
MAT'L - BRASS
FINISH - GOLD PLATE
2. MOUNTING HOLE DIA.: .061 [1.55]

| PART NO. | 'L' DIM. |
|----------|-------------|
| 1626-1 | .095 [2.41] |
| 1626-2 | .105 [2.67] |
| 1626-3 | .155 [3.94] |

| | | |
|----------|--------------------------|------|
| 5.9.11 | CHANGE AS PER ECN 11-060 | B |
| 10.24.07 | CHANGE AS PER ECN 07-070 | A |
| DATE | DESCRIPTION | REV. |

| KEYSTONE ELECTRONICS CORP. | | | |
|---|-----------------|-----------------|-----------------|
| www.keyelco.com • ASTORIA, N.Y. 11105-2017 • Tel (718) 956-8900 | | | |
| PART NAME MICRO JACK, SOLDER MOUNT | | | |
| MATERIAL AS NOTED | | | |
| FINISH AS NOTED | | DRN BY BOONE | DATE 2.26.07 |
| | | APP'D | SCALE 10X |
| TOLERANCES | INCH [MM] | CODE | DWG NO. |
| DECIMAL | ± .005 [± 0.13] | C/M | 1626- |
| ANGULAR | ± 1° | | |
| UNLESS OTHERWISE SPECIFIED | | | |