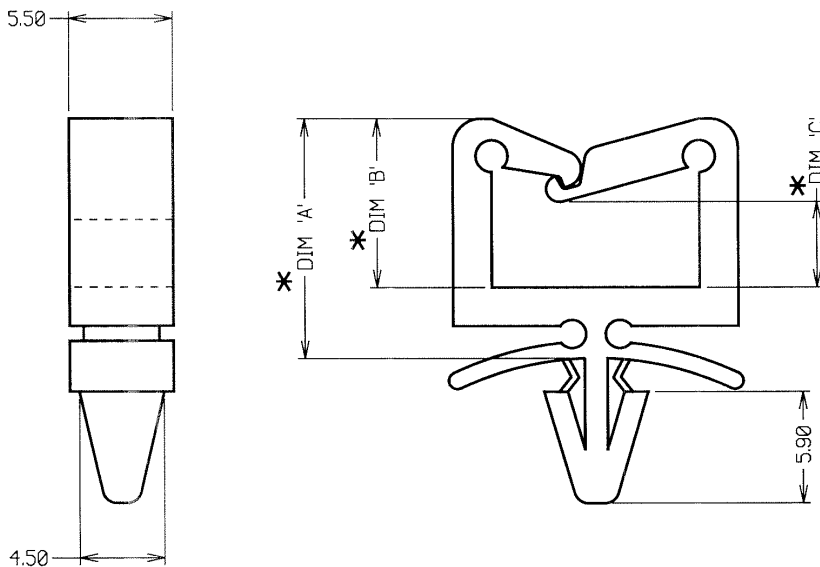


# Customer Information Sheet

DRAWING No.- R6450-00/R6453-00 SHT 2 OF 2    IF IN DOUBT - ASK    (C)    NOT TO SCALE    THIRD ANGLE PROJECTION    ALL DIMENSIONS IN mm

PART No.	DIM 'A'	DIM 'B'	DIM 'C'
R6450-00	12.7	9.2	2.8
R6451-00	17.9	14.4	8.6
R6452-00	26.9	23.4	18.2
R6453-00	34.8	31.3	26.2



NOTES:  
 1. RECOMMENDED MOUNTING HOLE SIZE =  $\varnothing$ 4.8mm  
 2. ALL TOLERANCES ARE  $\pm$ 0.50mm UNLESS OTHERWISE STATED.

3	02.04.98	4340
2	09.02.98	4269
1	07.07.92	----
ISS.	DATE	C/N
APPROVED: <i>[Signature]</i>		
CHECKED: <i>[Signature]</i>		
DRAWN: A LIOTTA		
CUSTOMER REF.		
ASSEMBLY DRG:		

## HARWIN

HARWIN INC  
 U.S.A.  
 TEL: (812) 285 0055  
 FAX: (812) 285 0056

HARWIN PLC  
 U.K.  
 TEL: 01705 370451  
 FAX: 01705 314590

HARWIN PTE  
 SINGAPORE  
 TEL: 65 7794909  
 FAX: 65 7793868

TOLERANCES  
 X. -  $\pm$ 1mm  
 X.X -  $\pm$ 0.25mm  
 X.XX -  $\pm$ 0.10mm  
 X.XXX -  $\pm$ 0.01mm  
 ANGLES -  $\pm$ 1°  
 UNLESS STATED

MATERIAL:  
 NYLON 66 (UL94V-2)

FINISH:  
 S/AREA: mm<sup>2</sup>

TITLE:  
 LOCKING WIRE SADDLE

DRAWING NUMBER:  
**R6450-00/R6453-00**

SHT  
 2  
 OF  
 2