

Customer Information Sheet

DRAWING No.: W2330-00

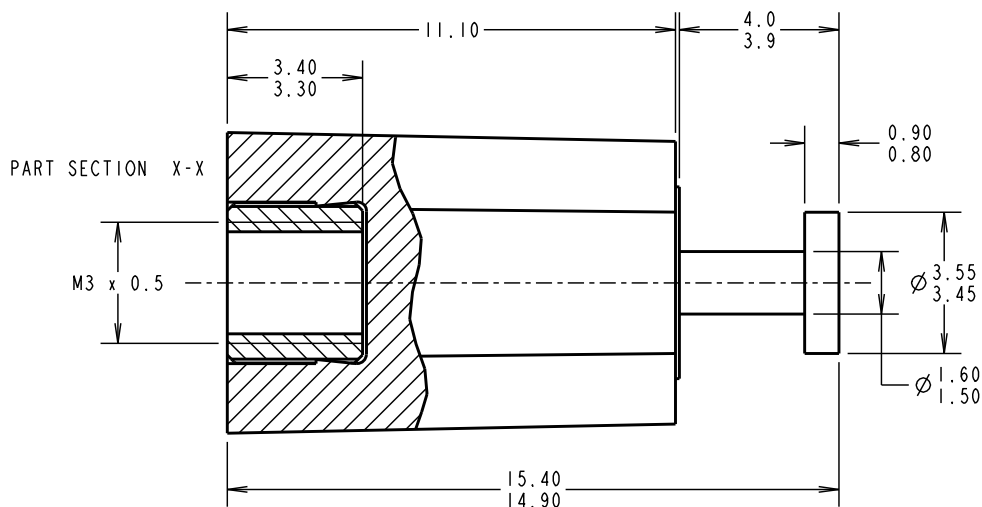
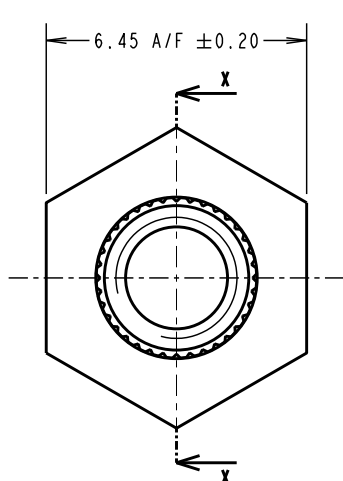
IF IN DOUBT - ASK

©

NOT TO SCALE

THIRD ANGLE PROJECTION

ALL DIMENSIONS IN mm



SPECIFICATIONS:

MATERIAL:

INSULATOR = POLYAMIDE 46, BLACK
 INSERTS = BRASS

FINISH:

BOTTOM THREAD INSERT = 1.25µm NICKEL
 SINGLE TURRET INSERT = 7.6µm 100% TIN OVER 2.4µm NICKEL

ELECTRICAL:

CURRENT RATING = 10A MAX
 VOLTAGE PROOF = 10kV MIN

ENVIRONMENTAL:

OPERATING TEMPERATURE = -55°C TO +125°C

SM	8	08.02.11	11115
NAME	ISS.	DATE	C/NOTE
APPROVED: S. MCCULLAGH			
CHECKED: M. G. PLESTED			
DRAWN: K. SHEIR			
CUSTOMER REF.:			
ASSEMBLY DRG:			

HARWIN

THIS DRAWING AND ANY INFORMATION OR DESCRIPTIVE MATTER SET OUT HEREON ARE CONFIDENTIAL AND COPYRIGHT PROPERTY OF THE HARWIN GROUP AND MUST NOT BE DISCLOSED, LOANED, COPIED OR USED FOR MANUFACTURING, TENDERING OR FOR ANY OTHER PURPOSE WITHOUT THEIR WRITTEN PERMISSION.

TOLERANCES

X. = ±1mm
 X.X = ±0.25mm
 X.XX = ±0.10mm
 X.XXX = ±0.01mm

ANGLES = ±5°

UNLESS STATED

MATERIAL:

SEE ABOVE

FINISH: SEE ABOVE

S/AREA:

mm²

TITLE:

INSULATED TERMINAL
 SINGLE TURRET

DRAWING NUMBER:

W2330-00

SHT
 2
 OF
 2

HARWIN USA TEL: 603 893 5376 FAX: 603 893 5396 mis@harwin.com	HARWIN Europe (UK) TEL: 023 9231 4545 FAX: 023 9231 4590 mis@harwin.co.uk	HARWIN Asia TEL: +65 6 779 4909 FAX: +65 6 779 3868 mis@harwin.com.sg
---	---	---