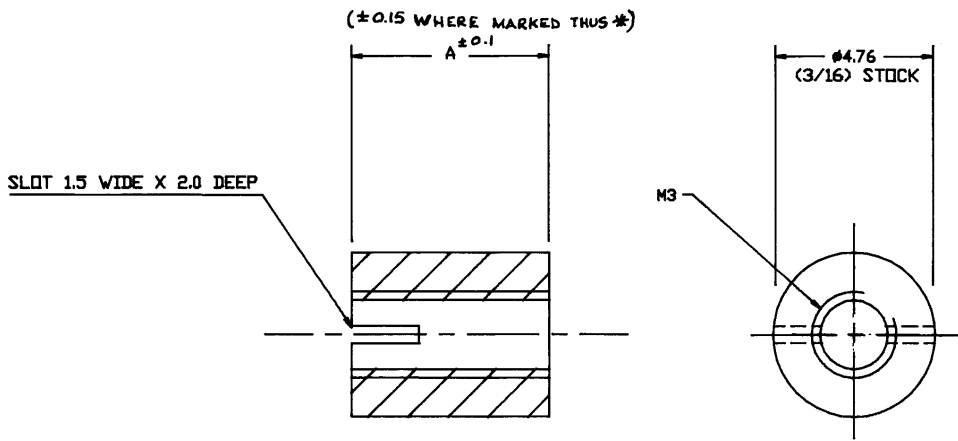


THIRD ANGLE PROJECTION

DO NOT SCALE



NOTE: 0.25 CHAMFERS FOR LEAD IN ON THREAD.
REMOVE ALL BURRS.

1	6.9.88	—
ISS.	DATE	CHANGE

R6307-02	# 16	411.5
R6306-02	# 14	362.8
R6305-02	12	314
R6304-02	10	265.2
R6303-02	8	216.5
R6302-02	6	167.7
R6301-02		
DRAWING No.	LENGTH 'A'	SURFACE AREA mm ²

APPD.	<i>[Signature]</i>
CHKD.	<i>[Signature]</i>
DRAWN	J.C.
CUSTOMER REF.	
COMPUTER No.	
ASSY. DRAWING	

HARWIN
 Harwin Engineers S.A.
 Fitzherbert Road, Farlington, Portsmouth, PD6 1RT.
 Telephone 0705 370451 Telex 86125

MATERIAL BRASS BS2874
CZ121
 TITLE M3 SPACER. (SLOTTED)

TOLERANCES

X.	± 1mm
X.X	± 0.25mm
X.XX	± 0.1mm
X.XXX	± 0.01mm

FINISH (NICKEL PLATE) F0201

S/AREA	mm ²
DIMS. IN MM	
SCALE	N.T.S.

DRAWING NUMBER
 R6301-02 /
 R6307-02