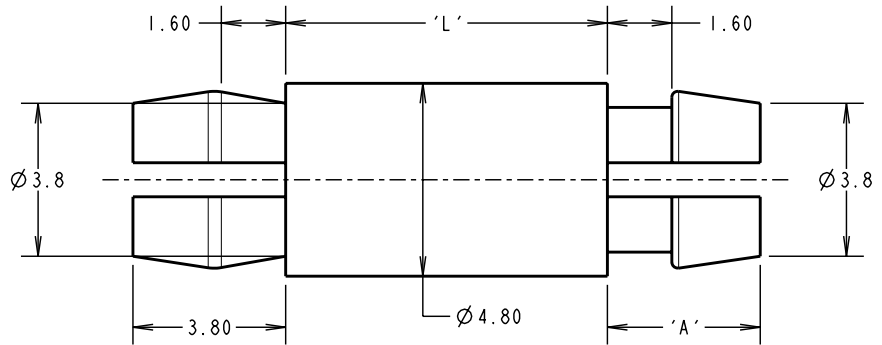
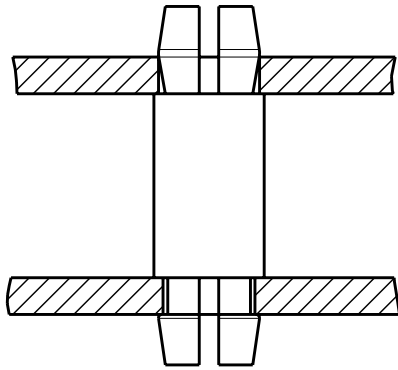


# Customer Information Sheet

DRAWING No.: R6003-00 - R6022-00 SHEET 2 OF 2 IF IN DOUBT - ASK © NOT TO SCALE THIRD ANGLE PROJECTION ALL DIMENSIONS IN mm



| PART No. | 'L'   | 'A'  |
|----------|-------|------|
| R6003-00 | 3.20  | 3.80 |
| R6006-00 | 6.30  | 3.80 |
| R6008-00 | 8.00  | 3.80 |
| R6010-00 | 10.50 | 3.80 |
| R6013-00 | 12.70 | 5.60 |
| R6022-00 | 22.20 | 5.60 |

- NOTES:  
 1. SUITABLE FOR 1.6mm THICK PCB.  
 2. RECOMMENDED HOLE SIZE =  $\varnothing 4.0\text{mm} \pm 0.1\text{mm}$  FOR BOTH ENDS.

ORDER CODE: **R60XX-00**  
 LENGTH 'L' IN mm

| CP                  | 8    | 04.03.10 | 10702  |
|---------------------|------|----------|--------|
| NAME                | ISS. | DATE     | C/NOTE |
| APPROVED: C.PENROSE |      |          |        |
| CHECKED: R.ADDE     |      |          |        |
| DRAWN: J.KEIR       |      |          |        |
| CUSTOMER REF.:      |      |          |        |
| ASSEMBLY DRG:       |      |          |        |

## HARWIN

|  |  |  |
|--|--|--|
| HARWIN USA<br>TEL: 603 893 5376<br>FAX: 603 893 5396<br>mis@harwin.com | HARWIN Europe (UK)<br>TEL: 023 9231 4545<br>FAX: 023 9231 4590<br>mis@harwin.co.uk | HARWIN Asia<br>TEL: +65 6 779 4909<br>FAX: +65 6 779 3868<br>mis@harwin.com.sg |
|--|--|--|

THIS DRAWING AND ANY INFORMATION OR DESCRIPTIVE MATTER SET OUT HEREON ARE CONFIDENTIAL AND COPYRIGHT PROPERTY OF THE HARWIN GROUP AND MUST NOT BE DISCLOSED, LOANED, COPIED OR USED FOR MANUFACTURING, TENDERING OR FOR ANY OTHER PURPOSE WITHOUT THEIR WRITTEN PERMISSION.

TOLERANCES  
 X. =  $\pm 1\text{mm}$   
 X.X =  $\pm 0.25\text{mm}$   
 X.XX =  $\pm 0.10\text{mm}$   
 X.XXX =  $\pm 0.01\text{mm}$   
 ANGLES =  $\pm 5^\circ$   
 UNLESS STATED

MATERIAL:  
 NYLON 66, UL94V-2  
 NATURAL  
 FINISH: CLEAN  
 S/AREA: mm<sup>2</sup>

TITLE:  
 PLASTIC SPACER  
 SELF LOCKING

DRAWING NUMBER:  
**R6003-00 - R6022-00**

SHT  
 2 OF 2