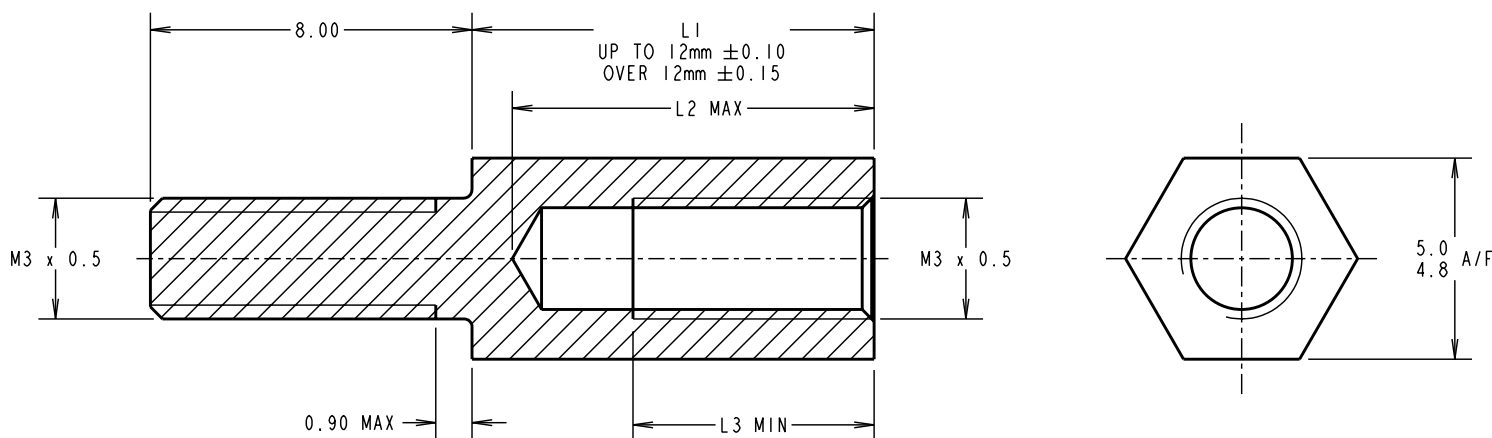


Customer Information Sheet

DRAWING No.: R30-301XX02 SHEET 2 OF 2 IF IN DOUBT - ASK © NOT TO SCALE THIRD ANGLE PROJECTION ALL DIMENSIONS IN mm



PART No.	L1	L2	L3
R30-3010402	4.00	4.0	2.50
R30-3010502	5.00	4.0	3.00
R30-3010602	6.00	5.0	4.00
R30-3010702	7.00	6.0	5.00
R30-3010802	8.00	7.0	5.00
R30-3010902	9.00	7.5	5.00
R30-3011002	10.00	8.0	5.00
R30-3011102	11.00	10.0	8.00
R30-3011202	12.00	10.0	8.00
R30-3011302	13.00	12.0	8.00
R30-3011402	14.00	12.0	8.00
R30-3011502	15.00	12.0	8.00

PART No.	L1	L2	L3
R30-3011602	16.00	12.0	8.00
R30-3011802	18.00	12.0	8.00
R30-3012002	20.00	12.0	8.00
R30-3012302	23.00	12.0	8.00
R30-3012502	25.00	12.0	8.00
R30-3012802	28.00	12.0	8.00
R30-3013002	30.00	12.0	8.00
R30-3013302	33.00	12.0	8.00
R30-3013402	34.00	12.0	8.00
R30-3013502	35.00	12.0	8.00
R30-3014002	40.00	12.0	8.00
R30-3015002	50.00	12.0	8.00

ORDER CODE:
R30-301XX02
 LENGTH L1 IN mm _____

CP	11	17.12.09	10614
NAME	ISS.	DATE	C/NOTE
APPROVED: C. PENROSE			
CHECKED: R. ADDE			
DRAWN: WJ BOURNE			
CUSTOMER REF.:			
ASSEMBLY DRG:			

HARWIN

HARWIN USA
 TEL: 603 893 5376
 FAX: 603 893 5396
 mis@harwin.com

HARWIN Europe (UK)
 TEL: 023 9231 4545
 FAX: 023 9231 4590
 mis@harwin.co.uk

HARWIN Asia
 TEL: +65 6 779 4909
 FAX: +65 6 779 3868
 mis@harwin.com.sg

THIS DRAWING AND ANY INFORMATION OR DESCRIPTIVE MATTER SET OUT HEREON ARE CONFIDENTIAL AND COPYRIGHT PROPERTY OF THE HARWIN GROUP AND MUST NOT BE DISCLOSED, LOANED, COPIED OR USED FOR MANUFACTURING, TENDERING OR FOR ANY OTHER PURPOSE WITHOUT THEIR WRITTEN PERMISSION.

TOLERANCES
 X. = ±1mm
 X.X = ±0.25mm
 X.XX = ±0.10mm
 X.XXX = ±0.01mm
 ANGLES = ±5°
 UNLESS STATED

MATERIAL:
 BRASS CW614N M TO BS EN 12164 (CuZn39Pb3)
 FINISH: NICKEL
 S/AREA: mm²

TITLE:
 M3 HEXAGONAL MALE/FEMALE SPACER
 DRAWING NUMBER:
R30-301XX02

SHT
 2
 OF
 2